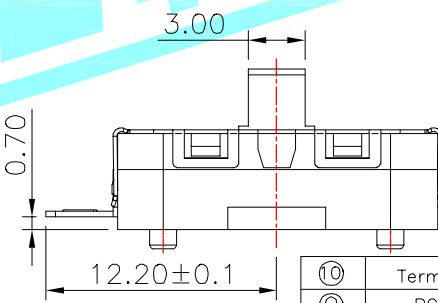
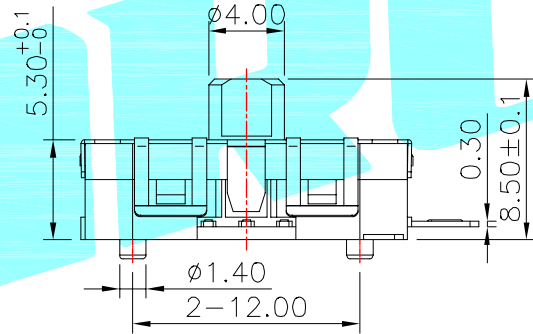
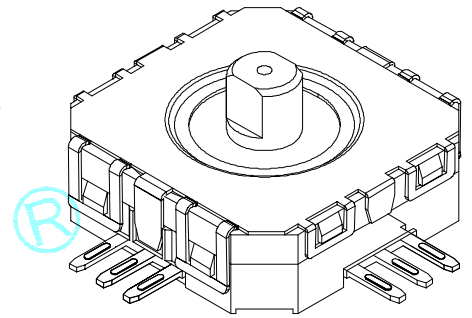
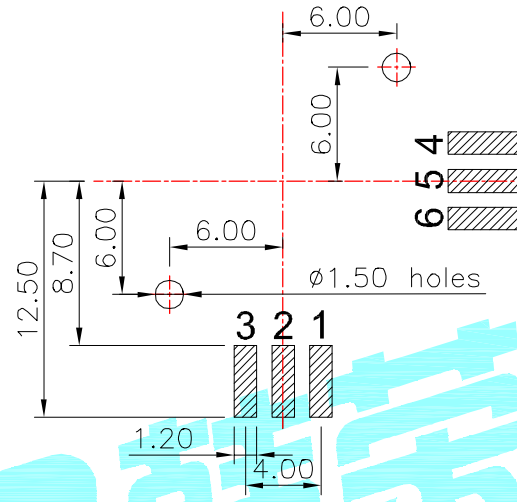
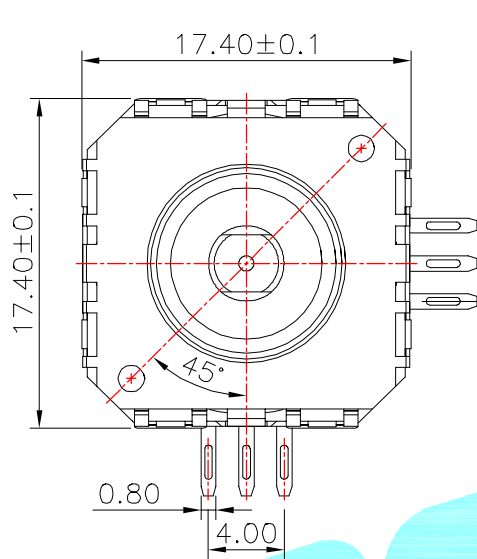
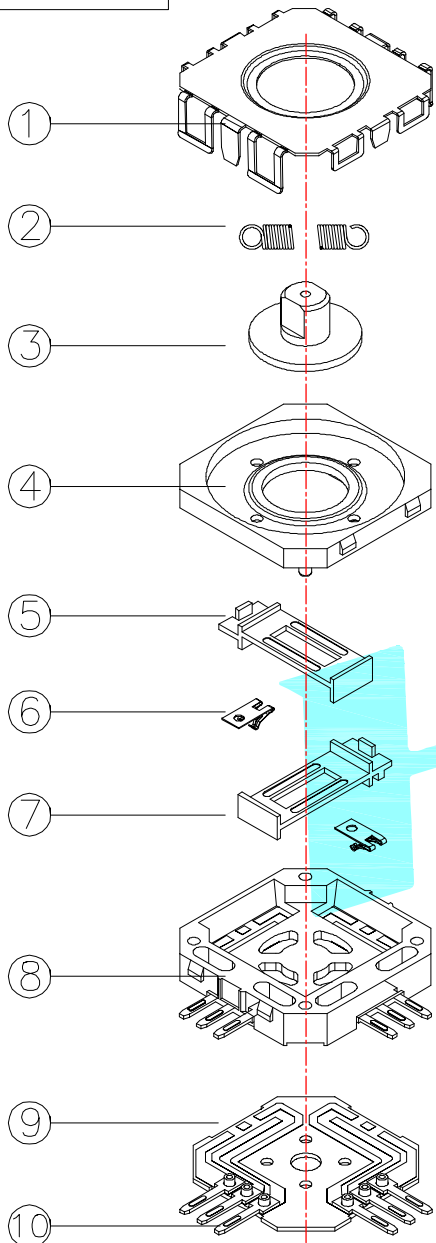
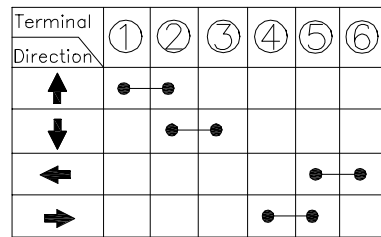


**ROHS**



NOTE:  
Operating Force: 50gf-180gf Max



Circuit Diagram

⑩	Terminal	—	6	H65(0.3t)	Plating silver	—
⑨	PCB	—	1	FR4	—	—
⑧	Base	—	1	PPA	Black	—
⑦	Movable pin 2	—	1	LCP	White	—
⑥	Contact	—	2	Brass(0.10t)	Plating silver	—
⑤	Movable pin 1	—	1	LCP	White	—
④	Cover 2	—	1	FR52	Black	—
③	Rocker	—	1	FR52	Black	—
②	spring	—	1	SUS	—	—
①	Cover 1	—	1	SUS	White	—
ITEM	PART NAME	TER'NO.	QTY.	MATERIAL	FINISHING	REMARK

APPROVALS		DATE		HRO 弘瑞 ELECTRONICS CO.,LTD		
DRAWN	J.X.Zhang	2013/8/6		TITLE:	MULTIFUNCTIONAL SWITCHES	
CHECKED				PART NO.	K1-1539SA-01	
APPROVALS				TOLERANCES ARE	ANGLE	UNIT: mm
		30~以上	±0.30	±2'	SCALE: 1:1	PROJ:
		10~30	±0.20		DRAWING NO.	SHEET 1 OF 1
		5~10	±0.15			
		~ 5	±0.10			

ECN NO.	REV.	DATE.	DESCRIPTION.	CHANGE.	CHECK.	APPRO.
	A		NEW			