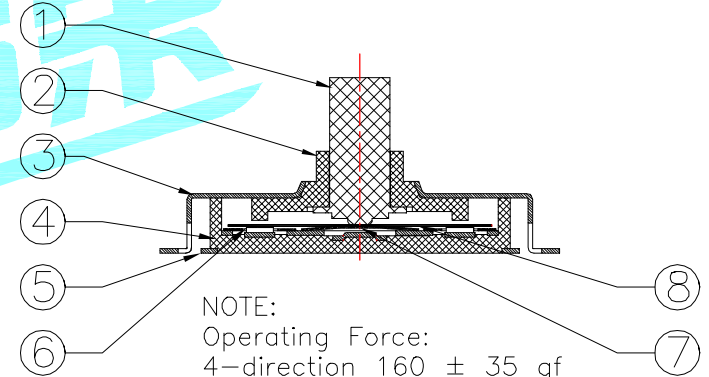
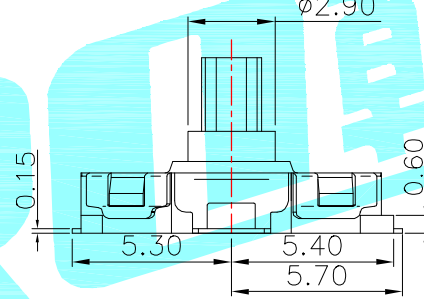
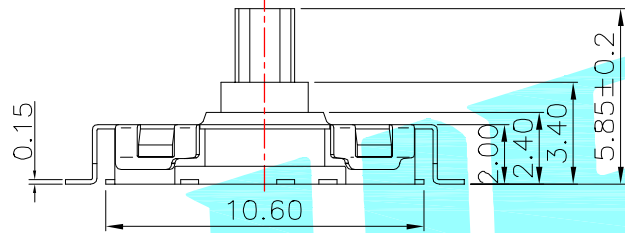
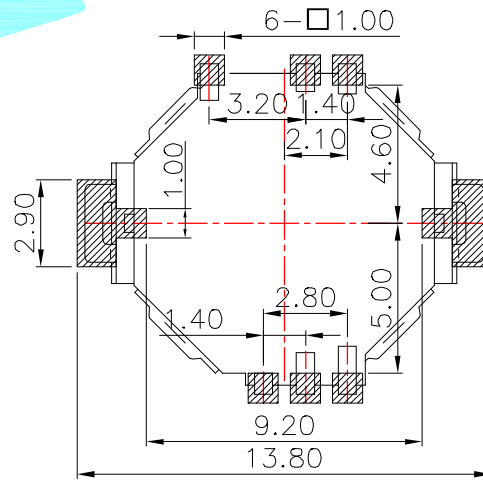
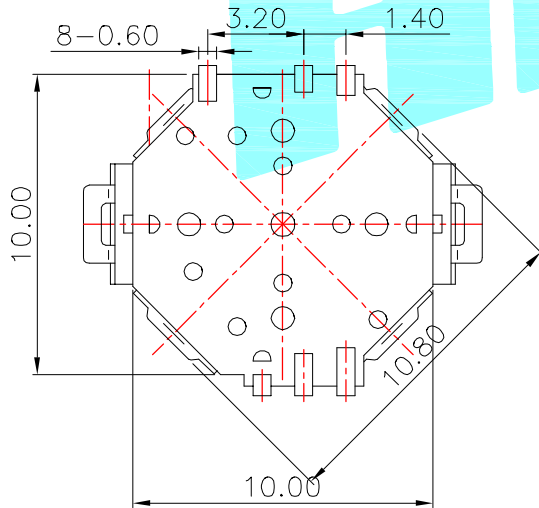


Circuit Diagram



NOTE:  
 Operating Force:  
 4-direction 160 ± 35 gf  
 center push 250 ± 35 gf  
 Travel:4-direction 0.25±0.1mm  
 center push 0.25±0.1mm



PCB Layout(Pattern Side)

⑧	Dust cover	—	1	Kapton film	Yellow	—
⑦	Contact 2	—	1	F.Ag/SUS	—	Circular
⑥	Contact 1	—	4	F.Ag/SUS	—	Rectangle
⑤	Terminal	—	8	Brass(0.15t)	Plating silver	—
④	Base	—	1	LCP	Black	—
③	Cover	—	1	LCP	Black	—
②	Axle sleeve	—	1	LCP	Off-white	—
①	Keystoke	—	1	PA46	Black	—
ITEM	PART NAME	TER'NO.	QTY.	MATERIAL	FINISHING	REMARK

APPROVALS		DATE		 ELECTRONICS CO.,LTD		
DRAWN	J.X.Zhang	2013/7/31				
CHECKED				TITLE: MULTIFUNCTIONAL SWITCHES		
APPROVALS				PART NO. K1-1513SN-01		
TOLERANCES ARE		30~以上	±0.30	ANGLE	UNIT: mm	SCALE: 1:1
		10~30	±0.20			
		5~10	±0.15	±2'	DRAWING NO.	PROJ:
		~ 5	±0.10			

—	A	—	NEW	—	—	—
ECN NO.	REV.	DATE.	DESCRIPTION.	CHANGE.	CHECK.	APPRO.