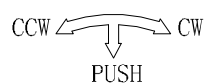
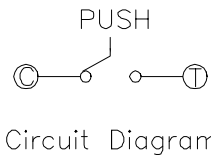


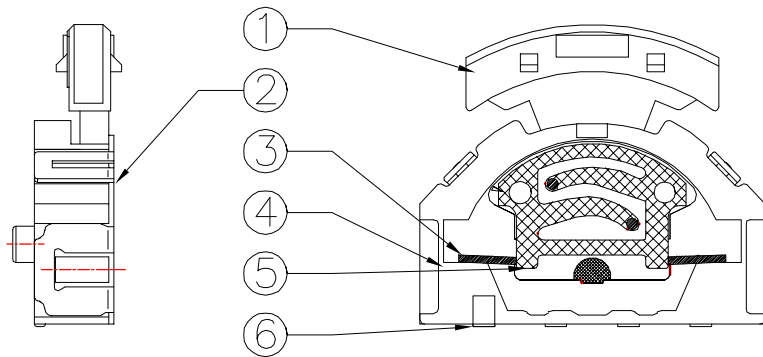
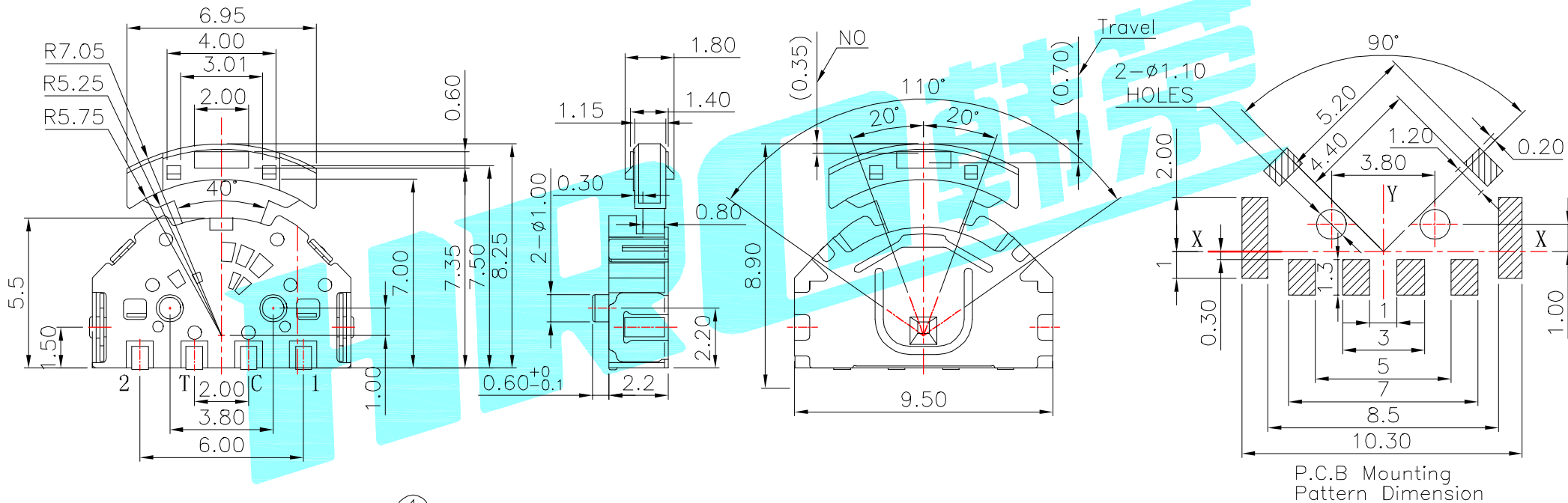
TER	0° (Hatched=NO)			
	ANG. (20°)	(15°)	(15°)	(20°)
①	Hatched			
②				Hatched
③	Hatched	Hatched	Hatched	Hatched



CODE TABLE



NOTE:
 Operating Force:
 lever portion 70 ± 40 gf
 Push portion 250 ± 40 gf
 Travel: -25° 0° $+25^\circ$ Pushportion 0.7 ± 0.1 mm



ITEM	PART NAME	TER'NO.	QTY.	MATERIAL	FINISHING	REMARK
⑥	Contact	—	1	F.Ag/Brass	Plating silver	—
⑤	Terminal	—	4	Brass(0.15t)	Plating silver	—
④	Base	—	1	Nylon	Black	—
③	Spring	—	1	SUS	Natural	—
②	Cover	—	1	SUS	Natural	—
①	Keystoke	—	1	Nylon	Black	—

APPROVALS		DATE		HRO 弘毅 ELECTRONICS CO.,LTD		
DRAWN	J.X.Zhang	2013/8/12		TITLE:	MULTIFUNCTIONAL SWITCHES	
CHECKED				PART NO.	K1-1511SA-02	
APPROVALS				UNIT: mm	SCALE: 1:1	PROJ:
TOLERANCES ARE		30~以上	± 0.30	ANGLE	DRAWING NO.	SHEET 1 OF 1
		10~30	± 0.20			
		5~10	± 0.15			
		~ 5	± 0.10			

ECN NO.	REV.	DATE.	DESCRIPTION.	CHANGE.	CHECK.	APPRO.
	A		NEW			