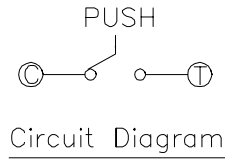


TER	ANG.	0° (Hatched=NO)			
		(20°)	(15°)	(15°)	(20°)
①		Hatched			
②				Hatched	
③		Hatched	Hatched	Hatched	Hatched

CCW ← → CW

CODE TABLE

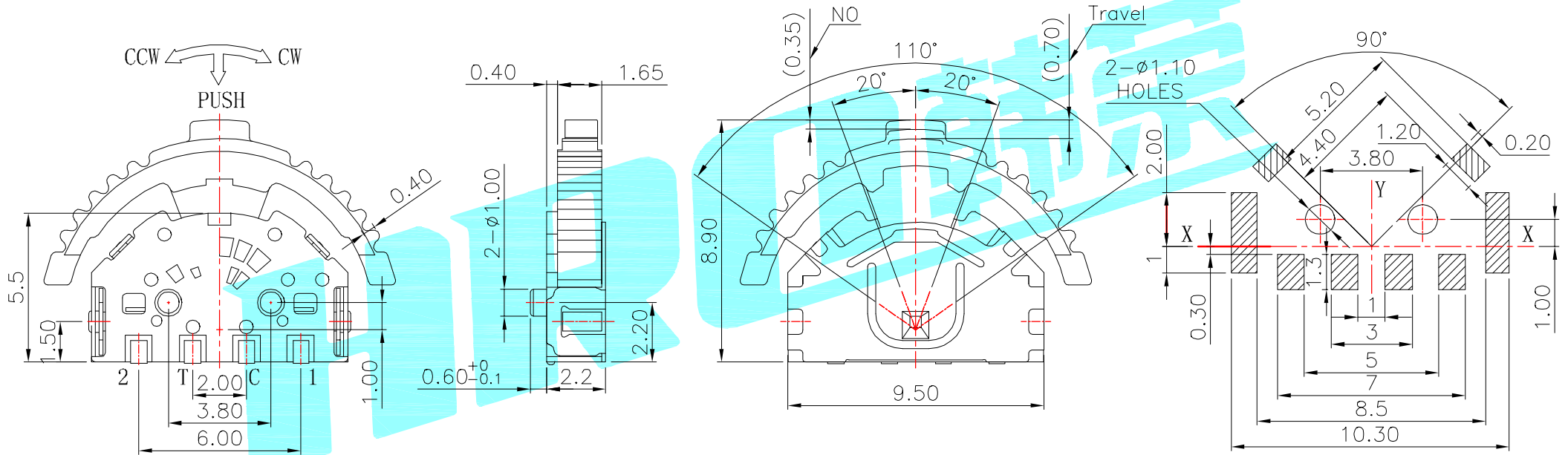


NOTE:

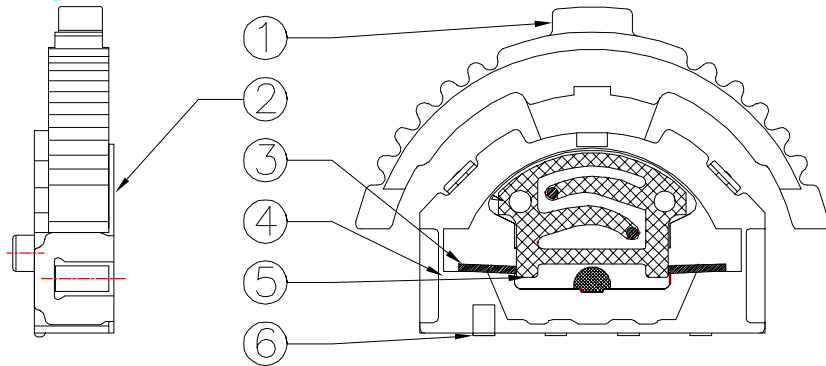
Operating Force:

lever portion 70 ± 40 gf

Push portion 250 ± 40 gf



P.C.B Mounting Pattern Dimension



ITEM	PART NAME	TER'NO.	QTY.	MATERIAL	FINISHING	REMARK
⑥	Contact	—	1	F.Ag/Brass	—	—
⑤	Terminal	—	5	Brass(0.15t)	Plating silver	—
④	Base	—	1	Nylon	Black	—
③	Spring	—	1	SUS	—	—
②	Cover	—	1	SUS	White	—
①	Keystoke	—	1	Nylon	Black	—

APPROVALS		DATE		HRO 弘毅 ELECTRONICS CO.,LTD		
DRAWN	J.X.Zhang	2013/8/5		TITLE:	MULTIFUNCTIONAL SWITCHES	
CHECKED				PART NO.	K1-1511SA-01	
APPROVALS				TOLERANCES ARE	ANGLE	UNIT: mm SCALE: 1:1 PROJ:
		30~以上	±0.30	±2'	DRAWING NO.	SHEET 1 OF 1
		10~30	±0.20			
		5~10	±0.15			
		~ 5	±0.10			

ECN NO.	REV.	DATE.	DESCRIPTION.	CHANGE.	CHECK.	APPRO.
—	A	—	NEW	—	—	—