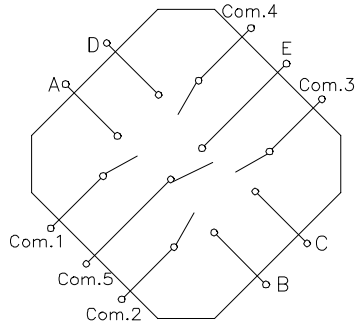
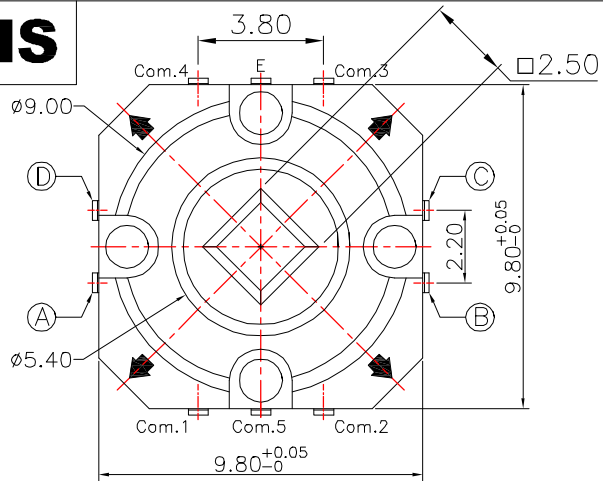
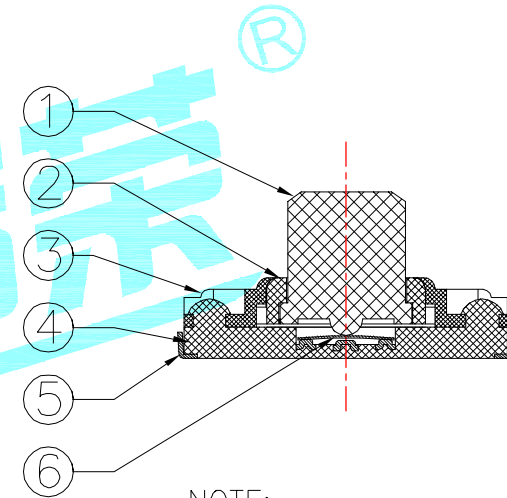
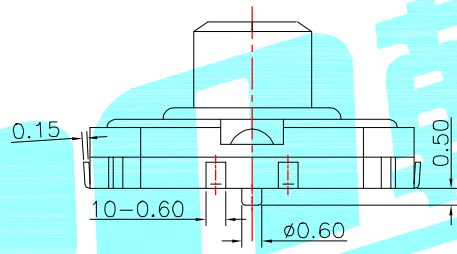
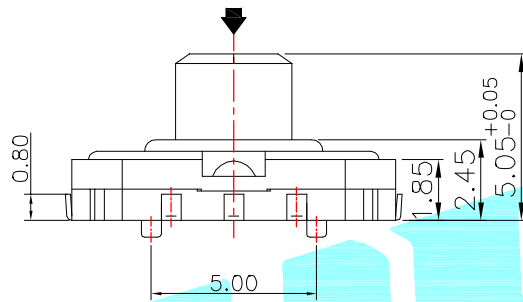


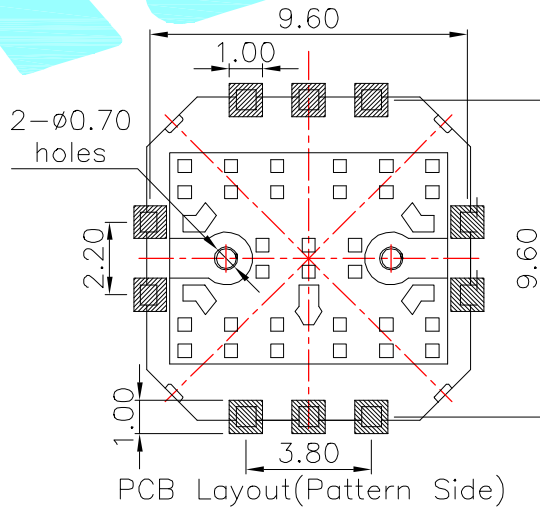
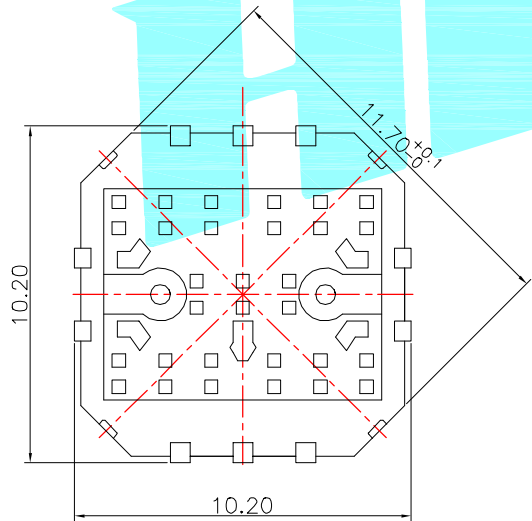
**ROHS**



Circuit Diagram



NOTE:  
Operating Force:  
4-direction 160 ± 35 gf  
center push 250 ± 35 gf



| ⑦    | Dust cover  | —       | 1    | Kapton film  | Yellow         | —      |
|------|-------------|---------|------|--------------|----------------|--------|
| ⑥    | Contact     | —       | 5    | F.Ag/SUS     | —              | —      |
| ⑤    | Terminal    | —       | 10   | Brass(0.15t) | Plating silver | —      |
| ④    | Base        | —       | 1    | LCP          | Black          | —      |
| ③    | Cover       | —       | 1    | LCP          | Black          | —      |
| ②    | Axle sleeve | —       | 1    | LCP          | Black          | —      |
| ①    | Keystoke    | —       | 1    | PA46         | Black          | —      |
| ITEM | PART NAME   | TER'NO. | QTY. | MATERIAL     | FINISHING      | REMARK |

|           |           |           |       |                             |       |             |            |                          |
|-----------|-----------|-----------|-------|-----------------------------|-------|-------------|------------|--------------------------|
| APPROVALS |           | DATE      |       | <br>HRO ELECTRONICS CO.,LTD |       |             |            |                          |
| DRAWN     | J.X.Zhang | 2013/7/30 |       |                             |       |             | TITLE:     | MULTIFUNCTIONAL SWITCHES |
| CHECKED   |           |           |       |                             |       |             | PART NO.   | K1-1509UA-01             |
| APPROVALS |           |           |       | TOLERANCES ARE              | ANGLE | UNIT: mm    | SCALE: 1:1 | PROJ:                    |
|           |           | 30~以上     | ±0.30 | ±2'                         |       | DRAWING NO. |            | SHEET 1 OF 1             |
|           |           | 10~30     | ±0.20 |                             |       |             |            |                          |
|           |           | 5~10      | ±0.15 |                             |       |             |            |                          |
|           |           | ~ 5       | ±0.10 |                             |       |             |            |                          |

| —       | A    | —     | NEW          | —       | —      | —      |
|---------|------|-------|--------------|---------|--------|--------|
| ECN NO. | REV. | DATE. | DESCRIPTION. | CHANGE. | CHECK. | APPRO. |