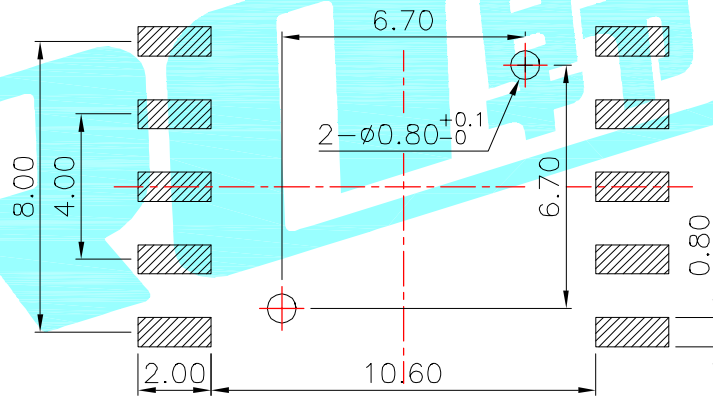
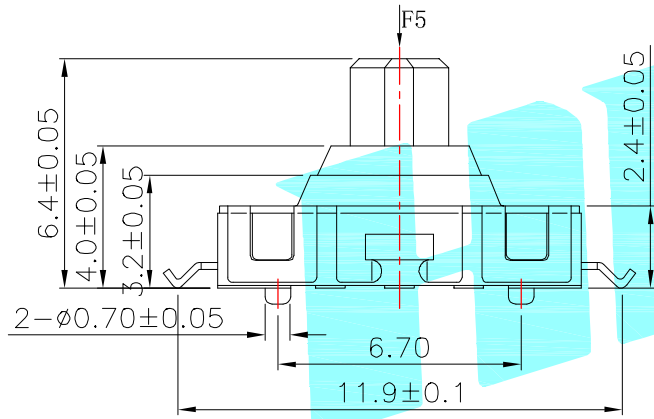
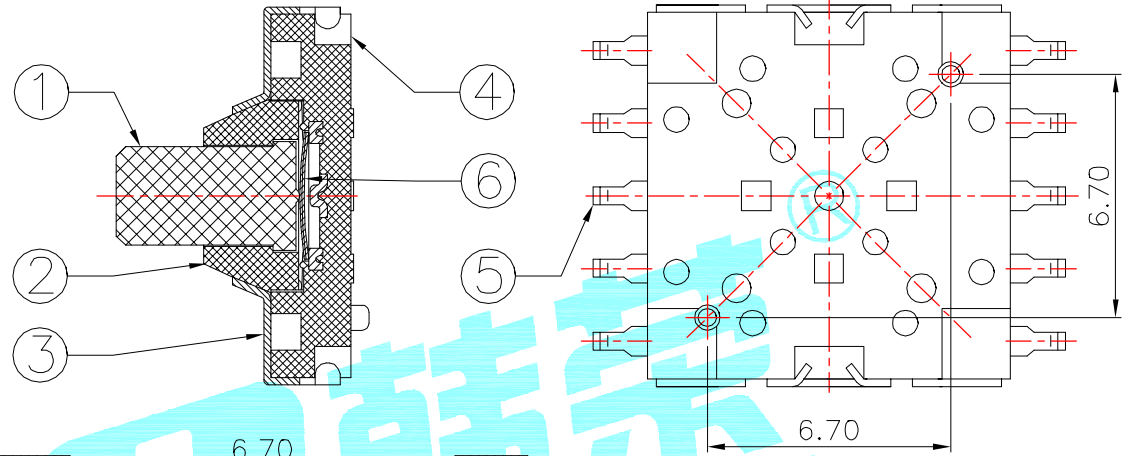
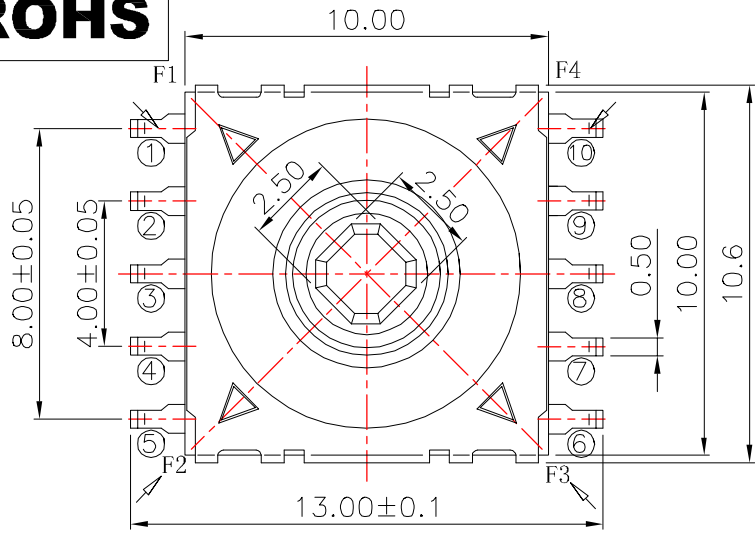
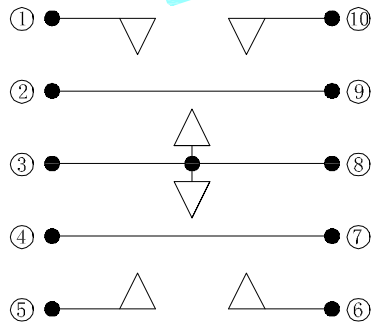


ROHS



NOTE:
Operating Force:
lever portion 4-180 ± 50 gf
Push portion 250 ± 50 gf

PCB Layout(Pattern side)



Circuit Diagram

	1	2	3	4	5	6	7	8	9	10
F1	○	○							○	
F2				○	○		○			
F3				○		○	○			
F4		○							○	○
F5		○	○	○		○	○	○		

⑥	Contact	—	6	F.Ag/SUS	Natural	—
⑤	Terminal	—	10	Brass(0.20t)	Plating silver	—
④	Base	—	1	LCP	Black	—
③	Cover	—	1	SUS	Natural	—
②	Axle sleeve	—	1	LCP	Black	—
①	Keystoke	—	1	LCP	Black	—
ITEM	PART NAME	TER'NO.	QTY.	MATERIAL	FINISHING	REMARK

APPROVALS		DATE		 HRO ELECTRONICS CO.,LTD				
DRAWN	J.X.Zhang	2013/8/22					TITLE:	MULTIFUNCTIONAL SWITCHS
CHECKED							PART NO.	K1-1507SA-02
APPROVALS				TOLERANCES ARE	ANGLE	UNIT: mm	SCALE: 1:1	PROJ:
		30~以上	±0.30	±2'	DRAWING NO.	SHEET	1 OF 1	
		10~30	±0.20					
		5~10	±0.15					
		~ 5	±0.10					

ECN NO.	REV.	DATE.	DESCRIPTION.	CHANGE.	CHECK.	APPRO.
	A		NEW			