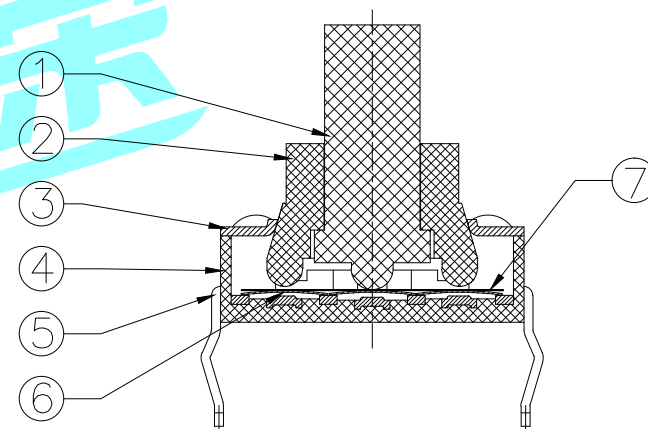
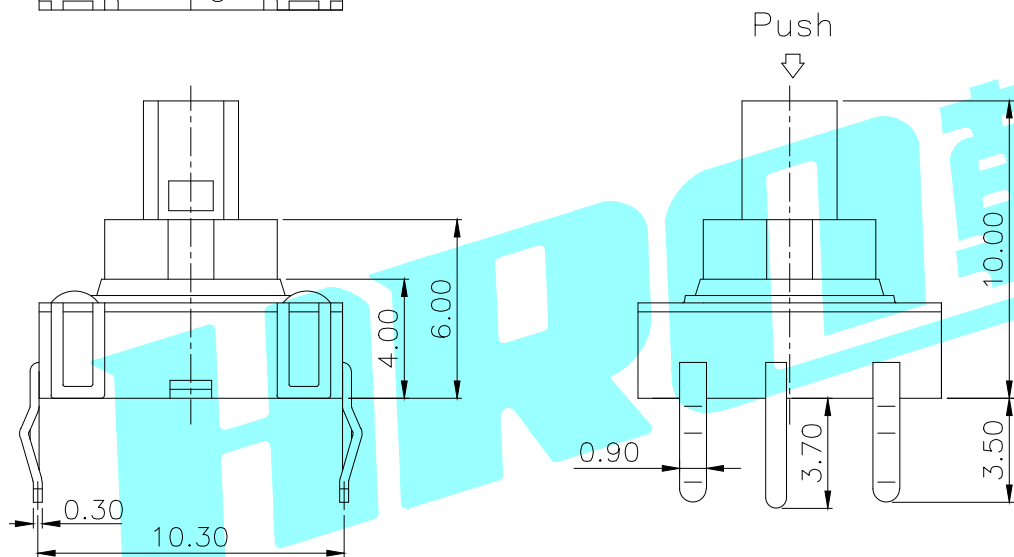
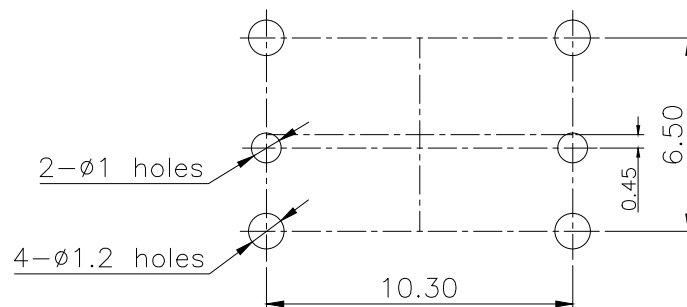


Circuit Diagram



NOTE:
 Operating Force:
 4-direction 160 ± 35 gf
 center push 300 ± 35 gf
 Travel:4-direction $5^\circ \pm 2^\circ$
 center push 0.20 ± 0.1 mm



PCB Layout(Pattern Side)

ITEM	PART NAME	TER'NO.	QTY.	MATERIAL	FINISHING	REMARK
⑦	Dust cover	—	1	Kapton film	Yellow	—
⑥	Contact	—	6	F.Ag/SUS	—	Circular
⑤	Terminal	—	8	Brass(0.3t)	Plating silver	—
④	Base	—	1	PA46	Black	—
③	Cover	—	1	SUS	Plating Ni	—
②	Axle sleeve	—	1	LCP	Off-white	—
①	Knob	—	1	LCP	Black	—

APPROVALS		DATE		HRO 韓榮 ELECTRONICS CO.,LTD		
DRAWN	J.X.Zhang	2013/7/31		TITLE:	MULTIFUNCTIONAL SWITCHS	
CHECKED				PART NO.	K1-1506DN-01	
APPROVALS				UNIT: mm	SCALE: 1:1	PROJ:
TOLERANCES ARE		30~以上 10~30 5~10 ~ 5	±0.30 ±0.20 ±0.15 ±0.10	ANGLE	±2'	DRAWING NO.

ECN NO.	REV.	DATE.	DESCRIPTION.	CHANGE.	CHECK.	APPRO.
	A		NEW			