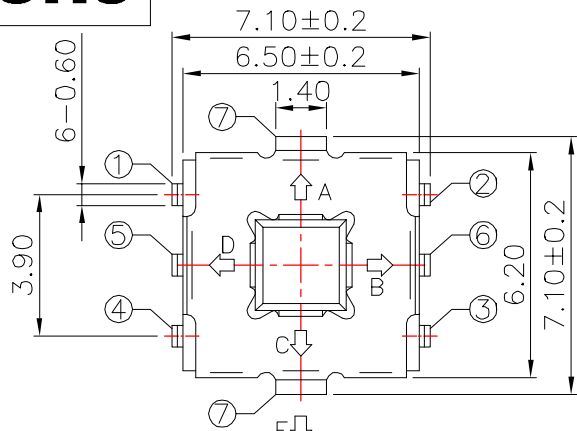


ROHS



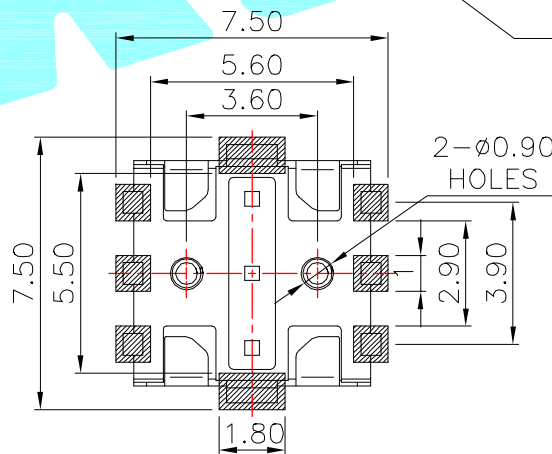
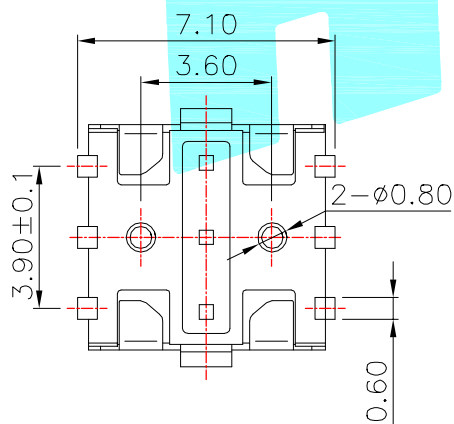
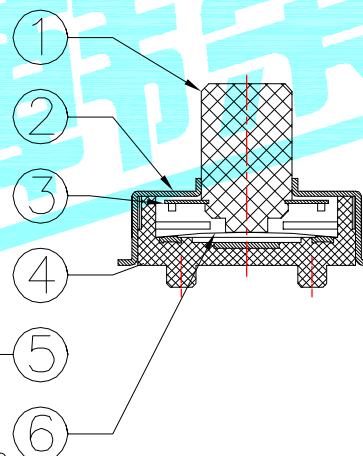
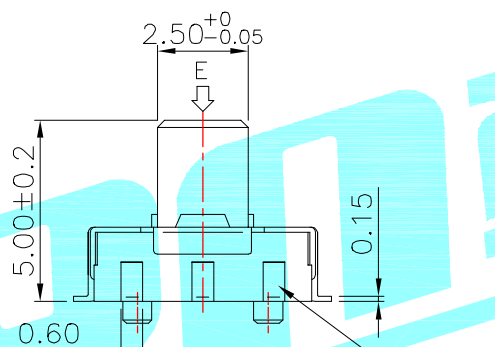
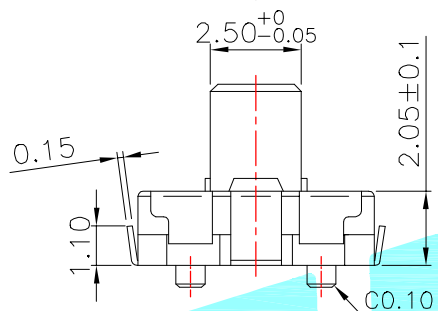
Terminal	①	②	③	④	⑤	⑥	⑦
Direction							
A	●	●			●	●	●
B		●	●		●	●	●
C			●	●	●	●	●
D	●			●	●	●	●
E					●	●	●

Circuit Diagram



NOTE:

Operating Force:
 lever portion 140 ± 50 gf
 Push portion 220 ± 80 gf
 Travel: 4-direction $5^\circ \pm 2^\circ$
 center push 0.2 ± 0.1 mm



PCB Layout(Pattern side)

⑥	Contact 2	—	2	C5210R	Plating silver	—
⑤	Terminal	—	6	Brass(0.15t)	Plating silver	—
④	Base	—	1	PA6T	Black	—
③	Contact 1	—	1	F.Ag/SUS	—	—
②	Cover	—	1	C5191	—	—
①	Keystoke	—	1	PA6T	Black	—
ITEM	PART NAME	TER'NO.	QTY.	MATERIAL	FINISHING	REMARK

APPROVALS		DATE		HROELECTRONICS CO.,LTD		
DRAWN	J.X.Zhang	2013/7/24		TITLE:	MULTIFUNCTIONAL SWITCHES	
CHECKED				PART NO.	K1-1505UA-01	
APPROVALS				UNIT: mm	SCALE: 1:1	PROJ:
TOLERANCES ARE		30~以上	±0.30	ANGLE	DRAWING NO.	SHEET 1 OF 1
		10~30	±0.20			
		5~10	±0.15			
		~ 5	±0.10			

ECN NO.	REV.	DATE.	DESCRIPTION.	CHANGE.	CHECK.	APPRO.
	A		NEW			