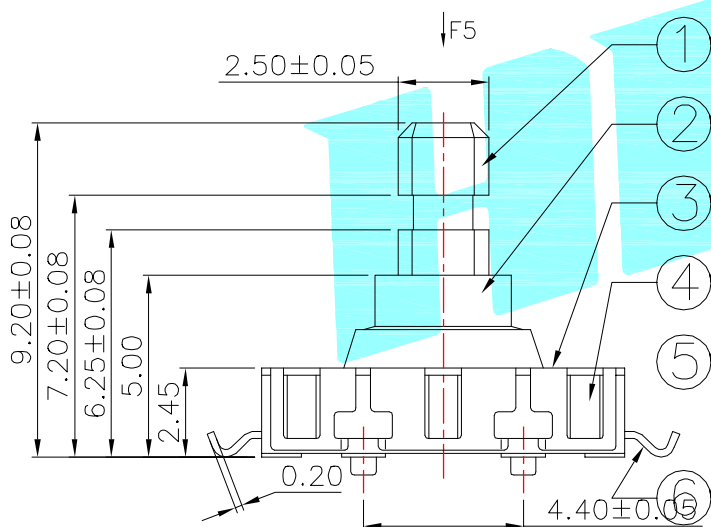
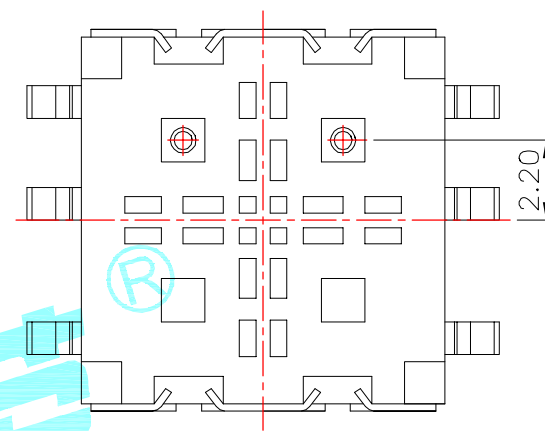
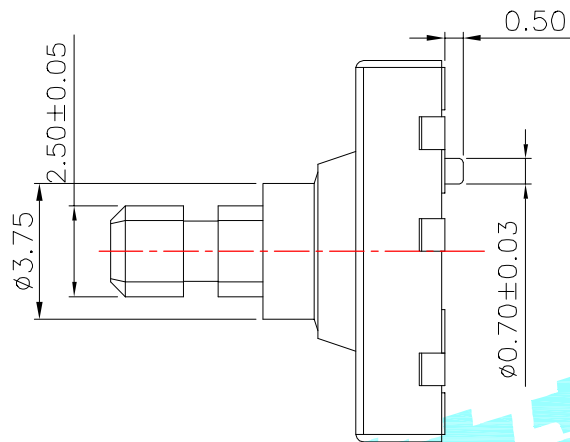
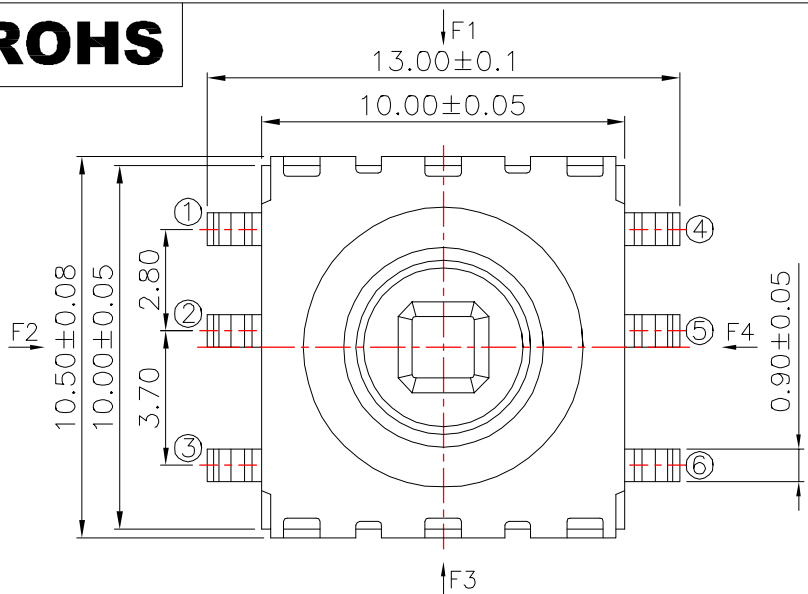
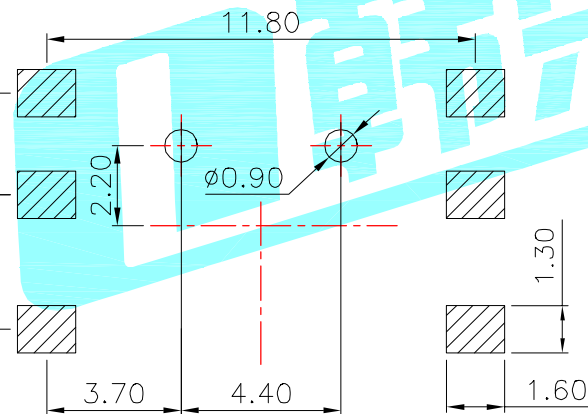


ROHS



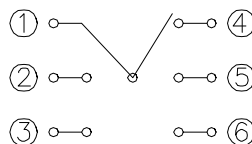
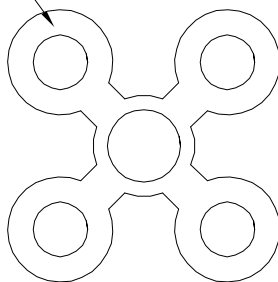
Operating force:4-Direction 250±80gf
Center push 250±80gf



PCB Layout(Pattern side)

| | | | | | | |
|----|---|---|---|---|---|---|
| | 1 | 2 | 3 | 4 | 5 | 6 |
| F1 | ○ | | | ○ | | |
| F2 | ○ | ○ | | | | |
| F3 | ○ | | | | ○ | |
| F4 | ○ | | | ○ | | |
| F5 | ○ | ○ | | | | |

| PART NO. | "H" |
|--------------|-----|
| K1-1504SA-04 | 5.0 |
| K1-1504SA-05 | 7.0 |
| K1-1504SA-06 | 9.2 |



Circuit Diagram

| ITEM | PART NAME | TER'NO. | QTY. | MATERIAL | FINISHING | REMARK |
|------|----------------|---------|------|--------------|----------------|--------|
| ⑦ | Contact | — | 5 | F.Ag/SUS | — | — |
| ⑥ | Terminal | — | 6 | Brass(0.20t) | Plating silver | — |
| ⑤ | Contact gasket | — | 1 | F.Ag/Cu | — | — |
| ④ | Base | — | 1 | LCP | Black | — |
| ③ | Cover | — | 1 | SUS | — | — |
| ② | Axle sleeve | — | 1 | LCP | Black | — |
| ① | Keystoke | — | 1 | PA46 | Black | — |

| APPROVALS | | DATE | | HRO 弘毅 ELECTRONICS CO.,LTD | | |
|----------------|-------------|-------------|-------|----------------------------|-------------------------|--------------|
| DRAWN | J.X.Zhang | 2013/7/15 | | TITLE: | MULTIFUNCTIONAL SWITCHS | |
| CHECKED | | | | PART NO. | K1-1504SA-□□ | |
| APPROVALS | | | | UNIT: mm | SCALE: 1:1 | PROJ: |
| TOLERANCES ARE | 30~以上 ±0.30 | 10~30 ±0.20 | ANGLE | DRAWING NO. | | SHEET 1 OF 1 |
| | 5~10 ±0.15 | ~ 5 ±0.10 | ±2' | | | |

| ECN NO. | REV. | DATE. | DESCRIPTION. | CHANGE. | CHECK. | APPRO. |
|---------|------|-------|--------------|---------|--------|--------|
| | A | | NEW | | | |