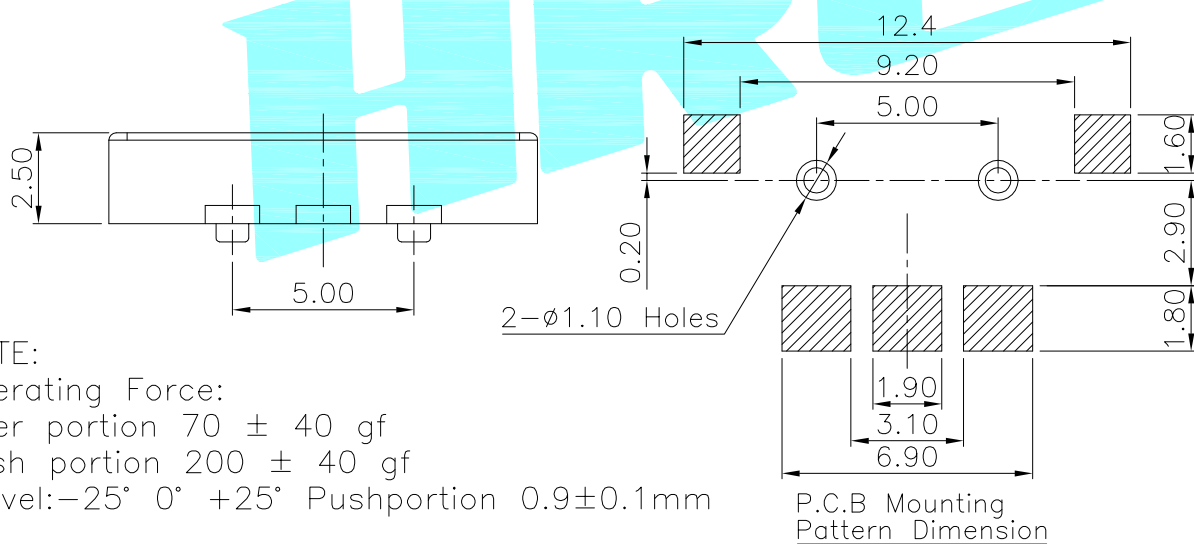
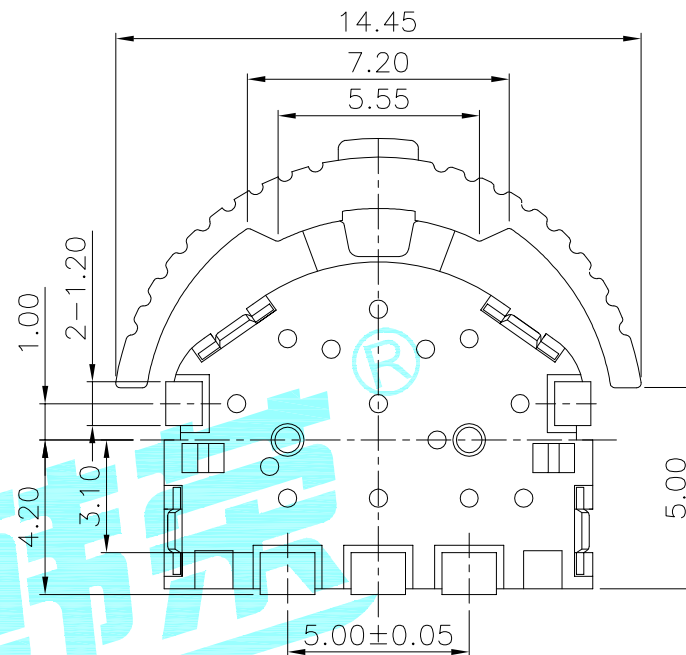
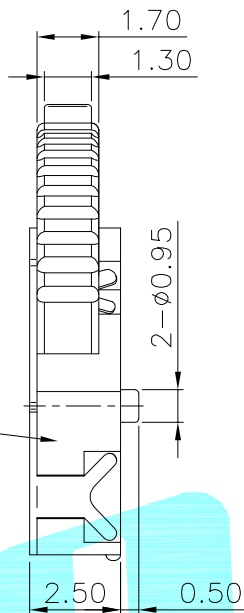
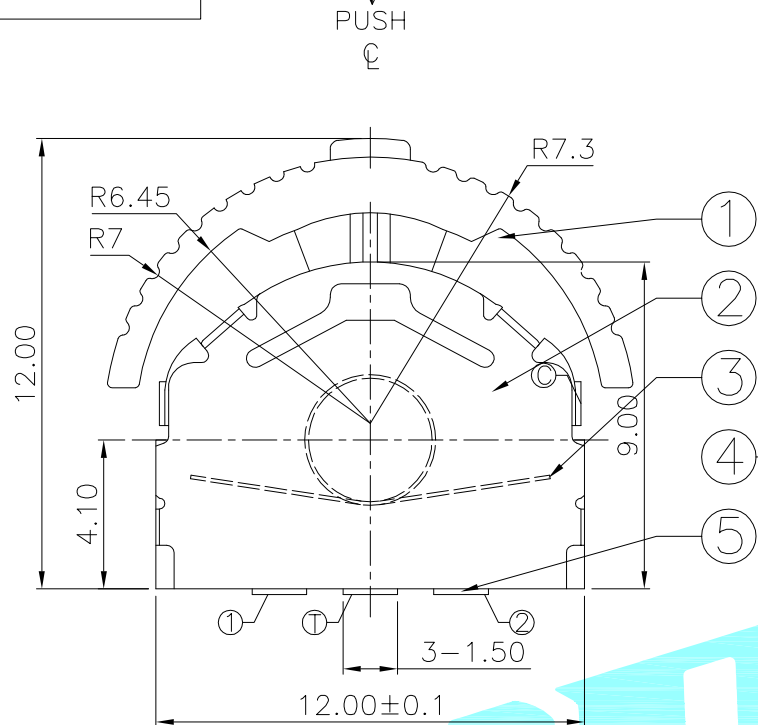
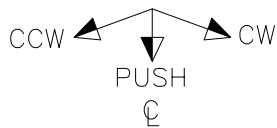
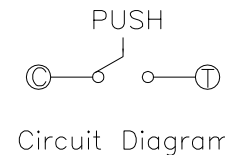


**ROHS**



TER	0° (∅=NO)			
	ANG. (25°)	(18°)	(18°)	(25°)
①	▨			▨
②				▨
③	▨	▨	▨	▨



CCW ← → CW

**CODE TABLE**

ITEM	PART NAME	TER'NO.	QTY.	MATERIAL	FINISHING	REMARK
⑥	Contact	—	1	F.Ag/Brass	Plating silver	—
⑤	Terminal	—	5	Brass(0.15t)	Plating silver	—
④	Base	—	1	LCP	Black	—
③	Spring	—	1	SUS	Natural	—
②	Cover	—	1	SUS	Natural	—
①	Keystoke	—	1	PA46	Black	—

NOTE:  
 Operating Force:  
 lever portion 70 ± 40 gf  
 Push portion 200 ± 40 gf  
 Travel: -25° 0° +25° Pushportion 0.9±0.1mm

APPROVALS		DATE		HROELECTRONICS CO.,LTD		
DRAWN	J.X.Zhang	2013/8/8		TITLE:	MULTIFUNCTIONAL SWITCHES	
CHECKED				PART NO.	K1-1502SA-01	
APPROVALS				TOLERANCES ARE	ANGLE	UNIT: mm SCALE: 1:1 PROJ:
		30~以上	±0.30	±2'	DRAWING NO.	SHEET 1 OF 1
		10~30	±0.20			
		5~10	±0.15			
		~ 5	±0.10			

ECN NO.	REV.	DATE.	DESCRIPTION.	CHANGE.	CHECK.	APPRO.
	A		NEW			