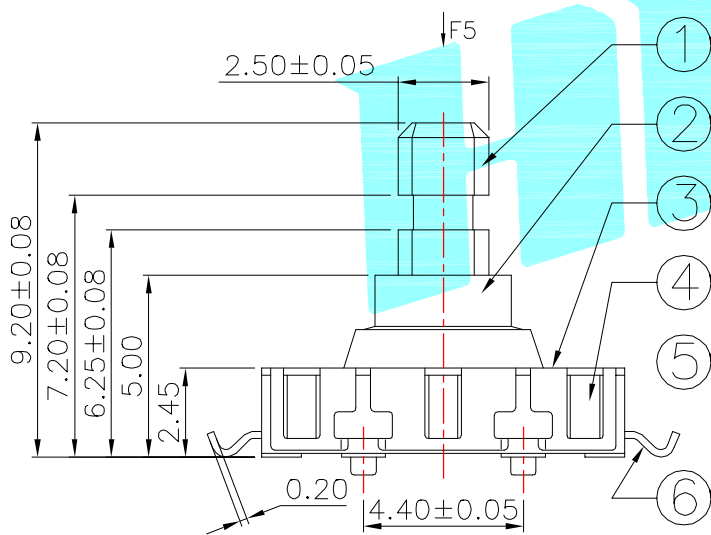
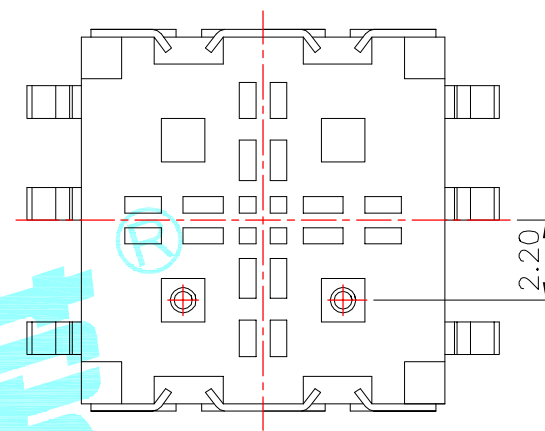
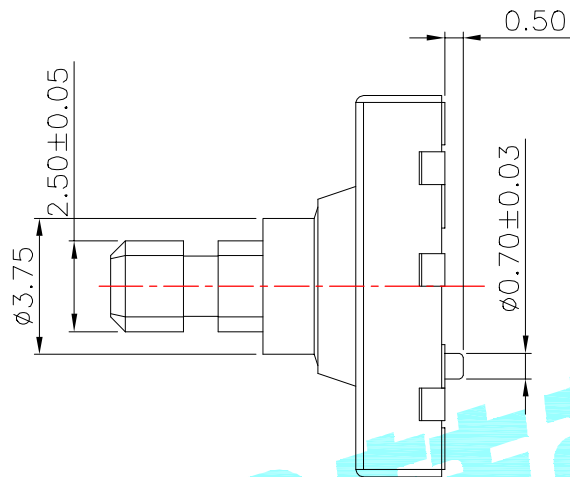
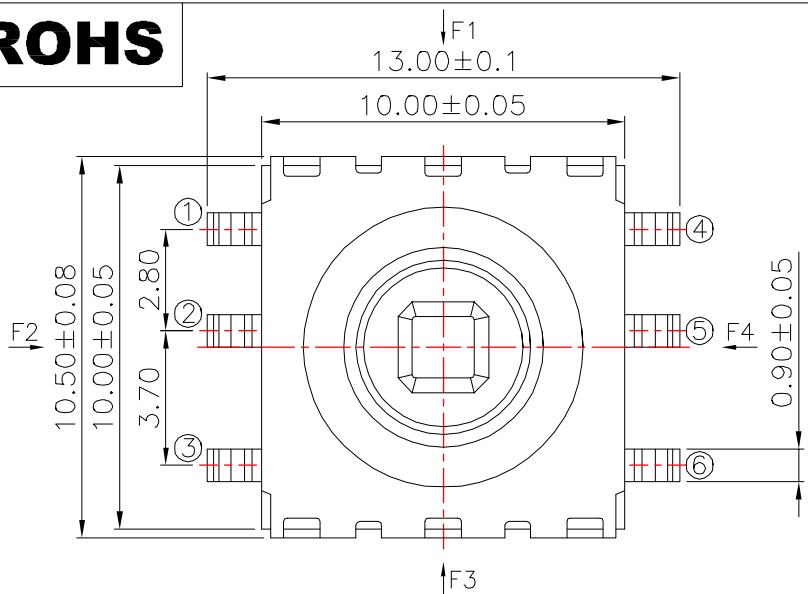
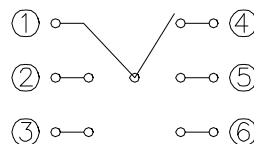
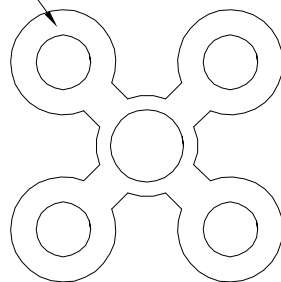


ROHS



Operating force: 4-Direction 250±80gf
Center push 250±80gf



Circuit Diagram

PCB Layout (Pattern side)

	1	2	3	4	5	6
F1	○			○		
F2	○	○				
F3	○				○	
F4	○				○	
F5	○	○				

⑦	Contact	—	5	F.Ag/SUS	—	—
⑥	Terminal	—	6	Brass(0.20t)	Plating silver	—
⑤	Contact gasket	—	1	F.Ag/Cu	—	—
④	Base	—	1	LCP	Black	—
③	Cover	—	1	SUS	—	—
②	Axle sleeve	—	1	LCP	Black	—
①	Keystoke	—	1	PA46	Black	—
ITEM	PART NAME	TER'NO.	QTY.	MATERIAL	FINISHING	REMARK

APPROVALS		DATE		 ELECTRONICS CO.,LTD				
DRAWN	J.X.Zhang	2013/7/15					TITLE:	MULTIFUNCTIONAL SWITCHES
CHECKED							PART NO.	K1-1504SA-03
APPROVALS				TOLERANCES ARE	ANGLE	UNIT: mm	SCALE: 1:1	PROJ:
		30~以上	±0.30	±2'	DRAWING NO.	SHEET	1 OF 1	
		10~30	±0.20					
		5~10	±0.15					
		~ 5	±0.10					

ECN NO.	REV.	DATE.	DESCRIPTION.	CHANGE.	CHECK.	APPRO.
	A		NEW			