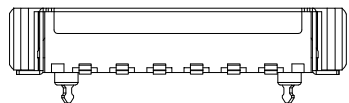
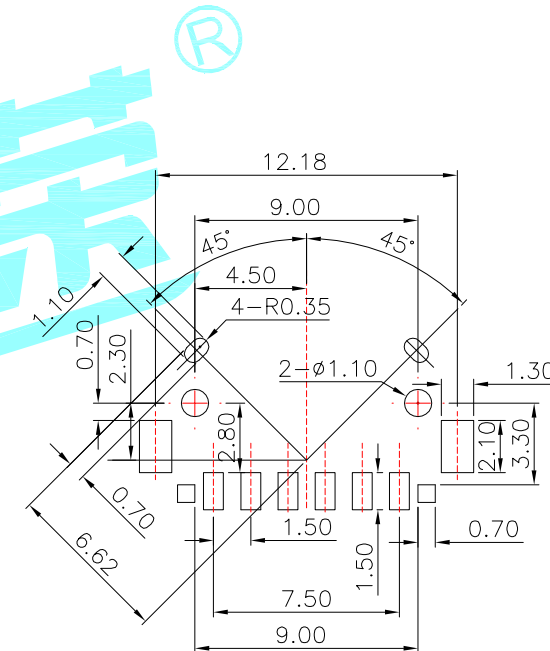
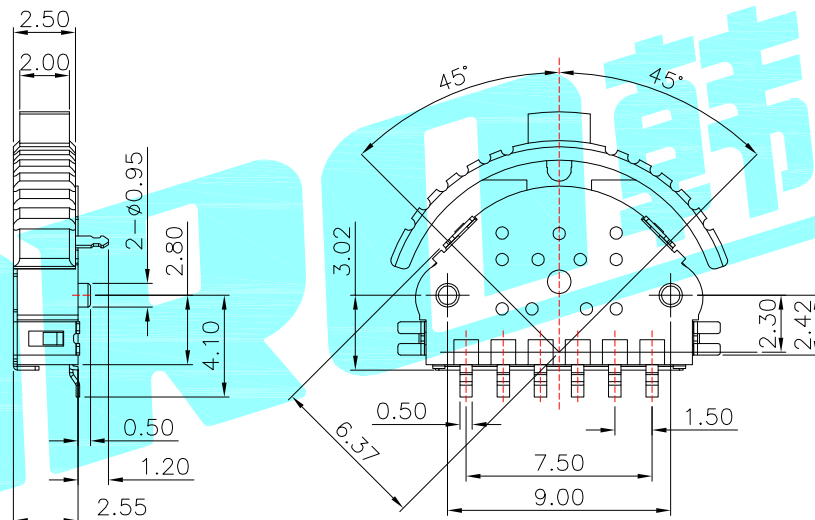
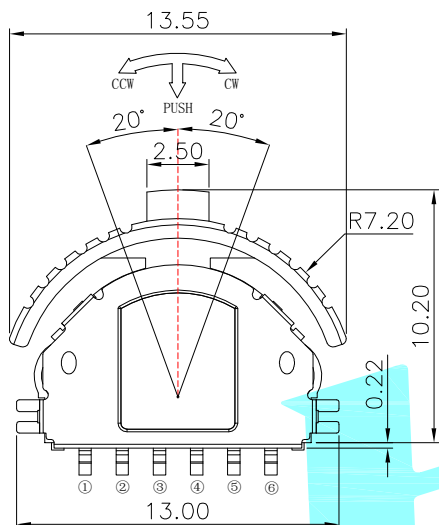


	①	②	③	④	⑤	⑥
CCW	○	○	○			
PUSH			○	○		
CW			○		○	○



NOTE:  
 1.Rating:DC5V 10mA  
 2.Operating Force:  
     lever portion 80±50gf  
     Push portion 200±50gf  
 3.Mechanical Life:100,000

⑥	Contact	—	1	Brass	Plating silver	—
⑤	Terminal	—	6	Brass(0.15t)	Plating silver	—
④	Base	—	1	PA6T	Black	—
③	Keystoke	—	1	PPA	Black	—
②	Spring	—	2	SUS	Natural	—
①	Cover	—	1	SUS	Plating Sn	—
ITEM	PART NAME	TER'NO.	QTY.	MATERIAL	FINISHING	REMARK

APPROVALS		DATE		 ELECTRONICS CO.,LTD			
DRAWN	LIUCAN	2021.6.13					
CHECKED				TITLE: MULTIFUNCTIONAL SWITCHES			
APPROVALS				PART NO.			
TOLERANCES ARE		30~以上	±0.30	ANGLE	UNIT: mm	SCALE: 1:1	PROJ:
		10~30	±0.20				
		5~10	±0.15				
		~ 5	±0.10				
		±2°		DRAWING NO.			SHEET 1 OF 1

_____	A	_____	NEW	_____	_____	_____
ECN NO.	REV.	DATE.	DESCRIPTION.	CHANGE.	CHECK.	APPRO.