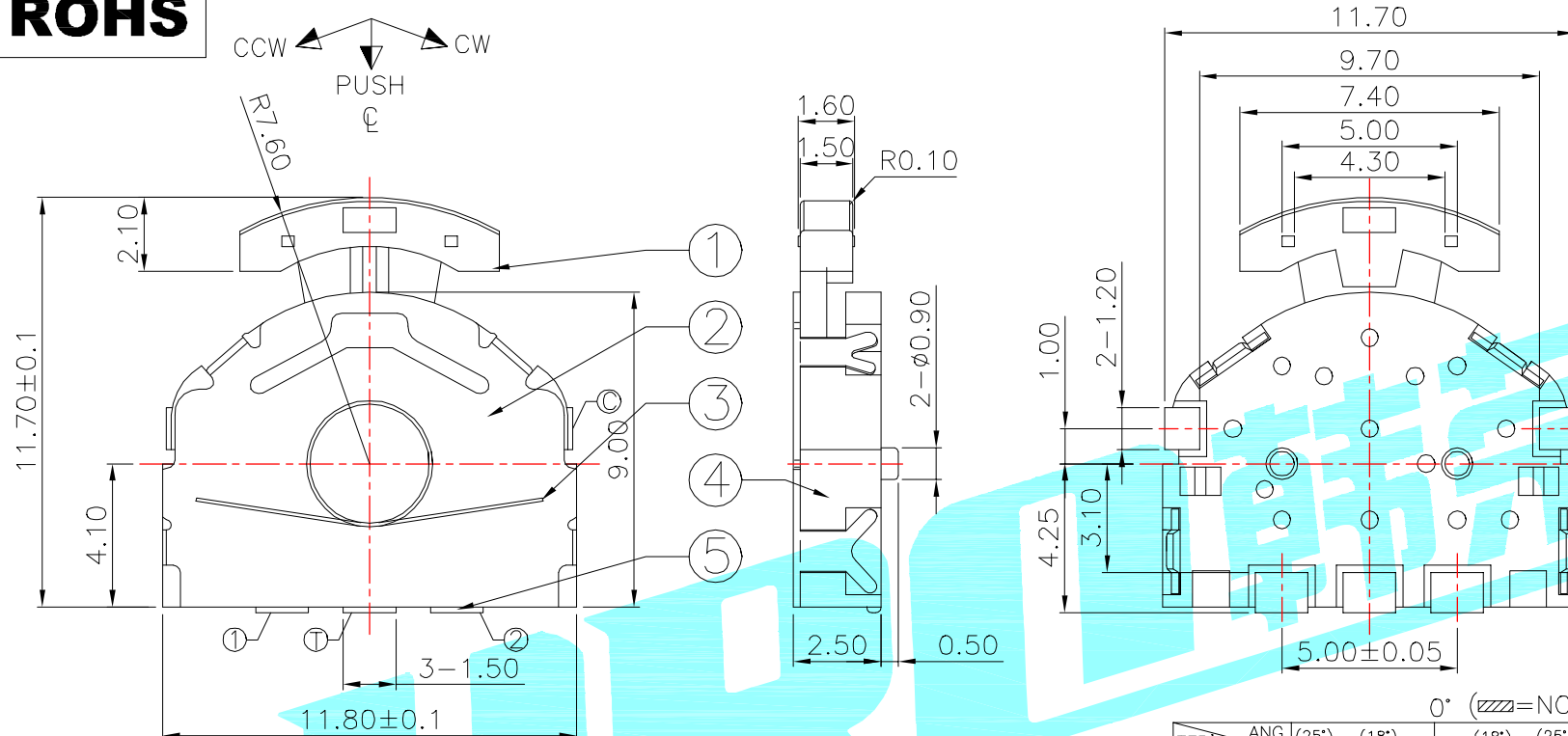


**ROHS**

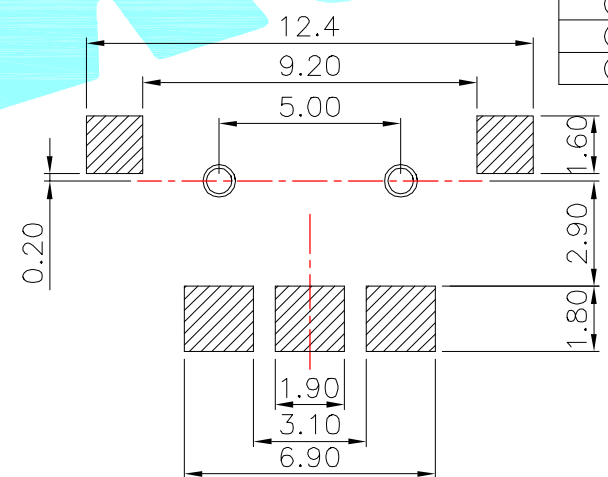
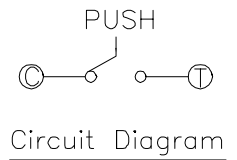


NOTE:  
Operating Force:  
lever portion 70 ± 40 gf  
Push portion 200 ± 40 gf

0° (Hatched=NO)

TER	ANG.	(25°)	(18°)	(18°)	(25°)
①		Hatched			Hatched
②					Hatched
③		Hatched	Hatched	Hatched	Hatched

CCW ←      → CW  
CODE TABLE



P.C.B Mounting  
Pattern Dimension

⑥	Contact	—	1	F.Ag/Brass	—	—
⑤	Terminal	—	5	Brass(0.15t)	Plating silver	—
④	Base	—	1	LCP	Black	—
③	Spring	—	1	SUS	—	—
②	Cover	—	1	SUS	—	—
①	Keystoke	—	1	PA46	Black	—
ITEM	PART NAME	TER'NO.	QTY.	MATERIAL	FINISHING	REMARK

APPROVALS		DATE		HRO 弘毅 ELECTRONICS CO.,LTD		
DRAWN	J.X.Zhang	2013/7/22		TITLE:	MULTIFUNCTIONAL SWITCHES	
CHECKED				PART NO.	K1-1502SA-02	
APPROVALS				UNIT: mm	SCALE: 1:1	PROJ:
TOLERANCES ARE			30~以上	±0.30	ANGLE	DRAWING NO.
			10~30	±0.20		
			5~10	±0.15		
			~ 5	±0.10		
			±2'	SHEET 1 OF 1		

ECN NO.	REV.	DATE.	DESCRIPTION.	CHANGE.	CHECK.	APPRO.
	A		NEW			