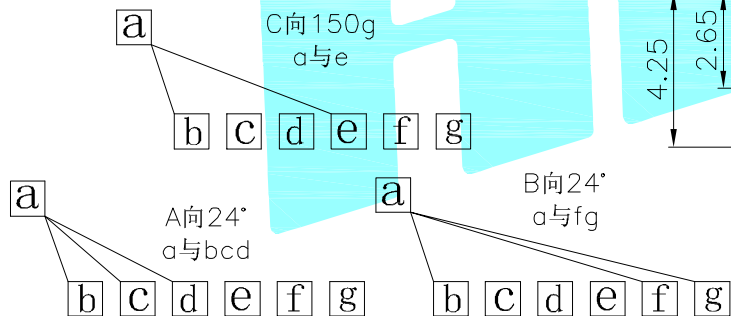
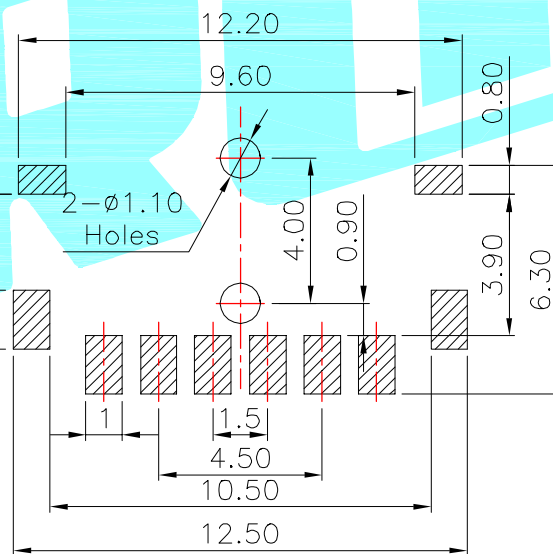


NOTE:
 Operating Force:
 Travel: 0.85±0.15mm
 lever portion 70 ± 40 gf
 Push portion 200 ± 40 gf



Circuit Diagram



P.C.B Mounting Pattern Dimension

ITEM	PART NAME	TER'NO.	QTY.	MATERIAL	FINISHING	REMARK
⑥	Terminal	—	8	Brass	Plating silver	—
⑤	Contact	—	1	F.Ag/Brass	Plating silver	—
④	Base	—	1	PA46	Black	—
③	Spring	—	1	SUS	Natural	—
②	Cover	—	1	SUS	Natural	—
①	Keystoke	—	1	PA46	Black	—

APPROVALS		DATE		HROELECTRONICS CO.,LTD		
DRAWN	J.X.Zhang	2013/8/8	TITLE:		MULTIFUNCTIONAL SWITCHES	
CHECKED			PART NO.		K1-1501SA-02	
APPROVALS			UNIT: mm		SCALE: 1:1	
TOLERANCES ARE		30~以上 ±0.30	ANGLE	UNIT: mm	SCALE: 1:1	
		10~30 ±0.20	±2'	DRAWING NO.	—	
		5~10 ±0.15		PROJ:		
		~ 5 ±0.10		SHEET 1 OF 1		

ECN NO.	REV.	DATE.	DESCRIPTION.	CHANGE.	CHECK.	APPRO.
—	A	—	NEW	—	—	—