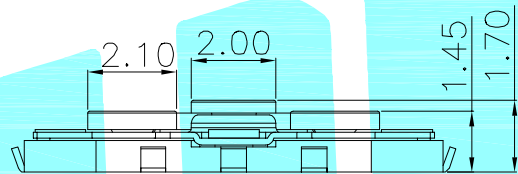
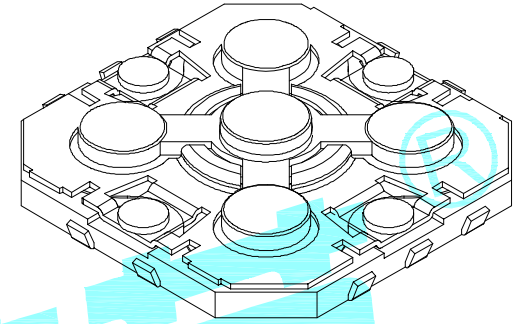
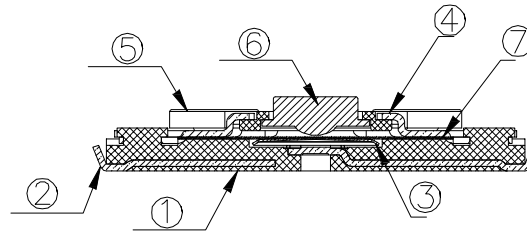
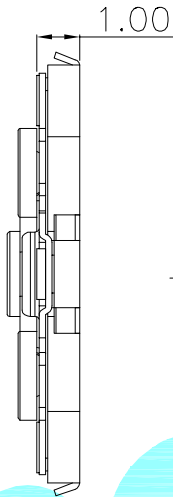
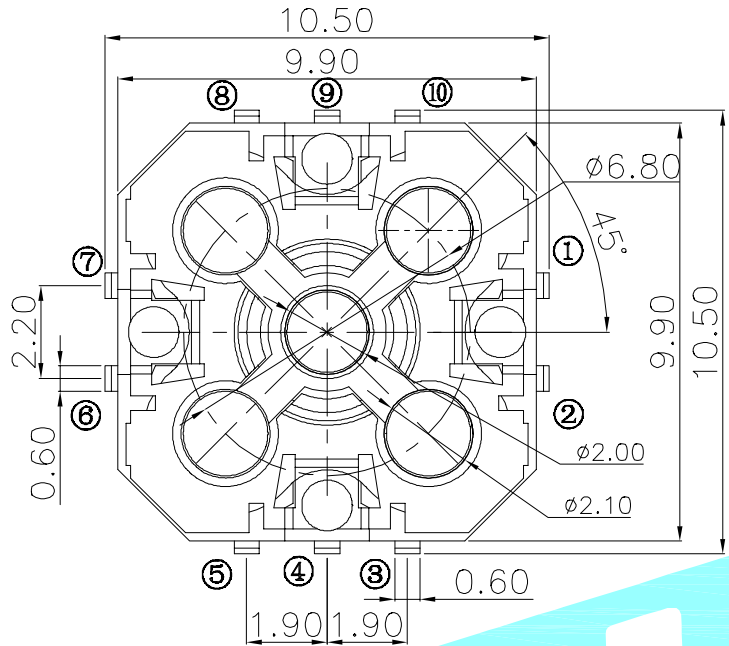
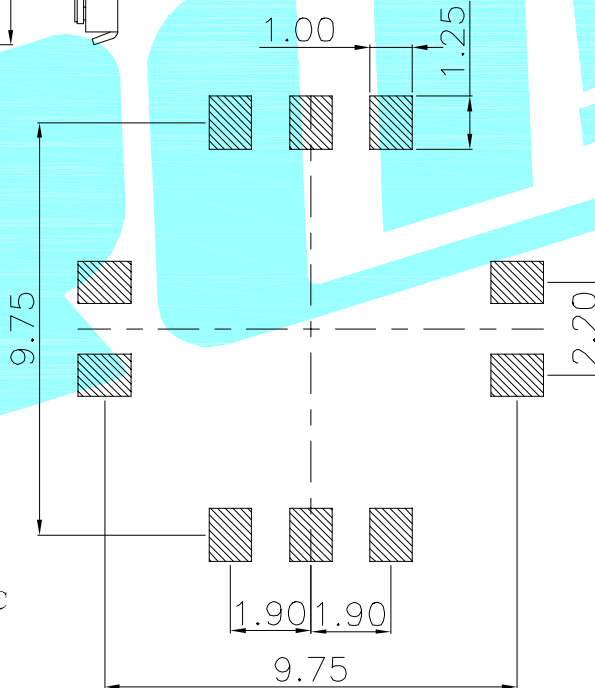


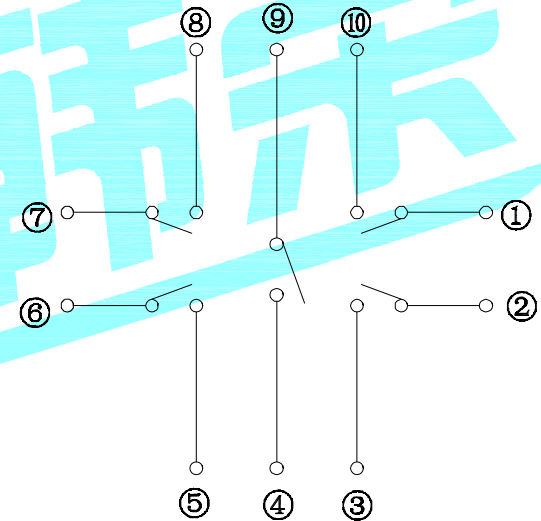
# ROHS



1. Rating : DC 12V 100mA
2. Contact Resistance: 80mΩMAX
3. Insulation Resistance: 100MΩMIN
4. Soldering Temper: 260±5°s
5. Mechanical Life: 50,000 cycles MIN
6. Electrical Life: 50,000 cycles MIN
7. Ambient Temper.Used: -25 °C to 85 °C
8. Ambient Humidity Used: 85% RH
9. Operating Force:  
4-direction 180 ± 35gf  
Center push 180 ± 35gf



PCB Layout(Pattern Side)



Circuit diagram

ITEM	PART NAME	TER'NO.	QTY.	MATERIAL	FINISHING	REMARK
⑦	Membrane	—	1	Polyimide	Yellow	—
⑥	KNOB 2	—	1	Nylon	Black	—
⑤	KNOB 1	—	1	Nylon	Black	—
④	Cover	—	1	SUS	CT	—
③	Contact	—	5	SUS	Plating silver	—
②	Terminal	—	10	Phosphor Bronze	Plating silver	—
①	Base	—	1	Nylon	Black	—

APPROVALS		DATE		HRO 華榮® ELECTRONICS CO.,LTD		
DRAWN	JKUN.LU	2015/3/23		TITLE:	MULTIFUNCTIONAL SWITCHS	
CHECKED				PART NO.	K1-1210UN-01	
APPROVALS				UNIT: mm	SCALE: 1:1	PROJ:
TOLERANCES ARE			30~以下 ±0.30	ANGLE		
			10~30 ±0.20			
			5~10 ±0.15			
			~ 5 ±0.10	±2'	DRAWING NO.	
						SHEET 1 OF 1

ECN NO.	REV.	DATE.	DESCRIPTION.	CHANGE.	CHECK.	APPRO.
	A		NEW			