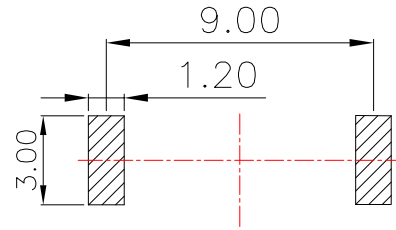
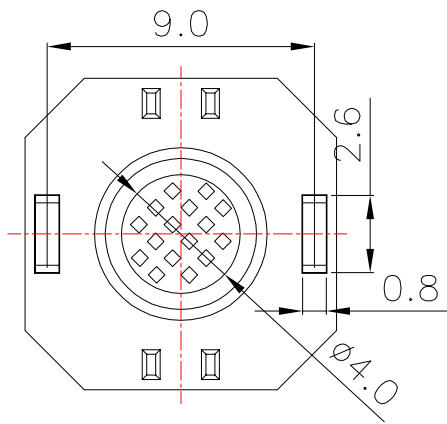
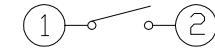


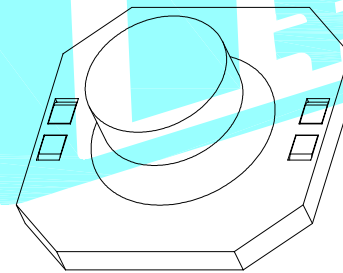
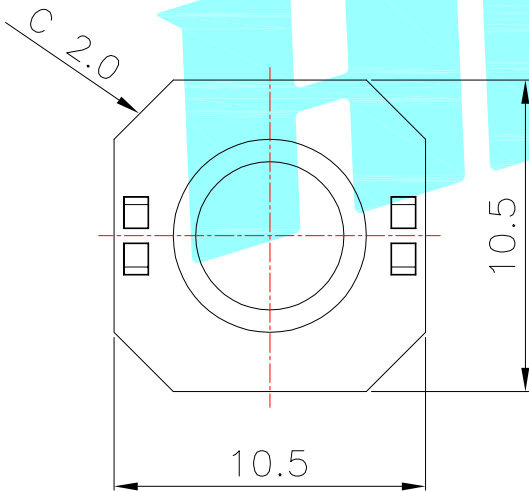
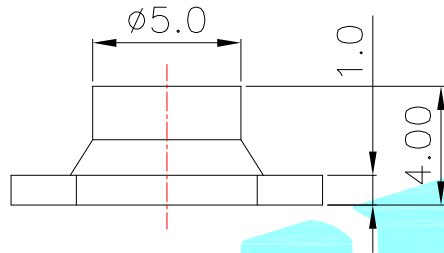
ROHS



PCB Layout(Pattern side)



Circuit Diagram



NO.1-NO.2	
PART NO	NOTE
01~99	SERIAL NUMBER

NOTE:
 Forcel: 130±30gf
 Travel: 1.0±0.2mm
 Life: 2,000,000 Cycles

②	Terminal	—	2	Brass	Plating silver	—
①	Keystoke	—	1	Silica gel	Red	—
ITEM	PART NAME	TER'NO.	QTY.	MATERIAL	FINISHING	REMARK
APPROVALS			DATE	 ELECTRONICS CO.,LTD		
DRAWN	LIUCAN	2022.2.18				
CHECKED				TITLE: TACT SWITCHES		
APPROVALS				PART NO. K2-8810SP-B2EW-□□		
TOLERANCES ARE		30~以上	±0.30	ANGLE	UNIT: mm	SCALE: 1:1
		10~30	±0.20			
		5~10	±0.15			
		~ 5	±0.10			
		±2'	DRAWING NO.		PROJ:	
		SHEET 1 OF 1				

ECN NO.	REV.	DATE.	DESCRIPTION.	CHANGE.	CHECK.	APPRO.
	A		NEW			