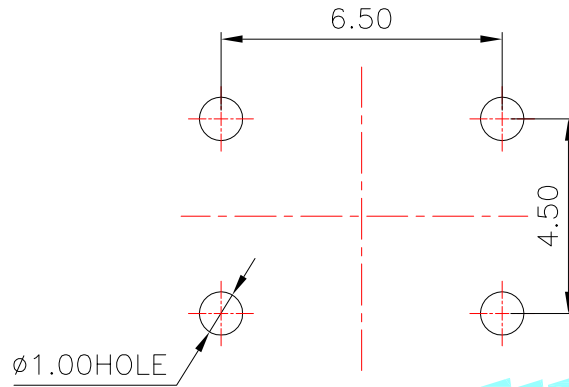
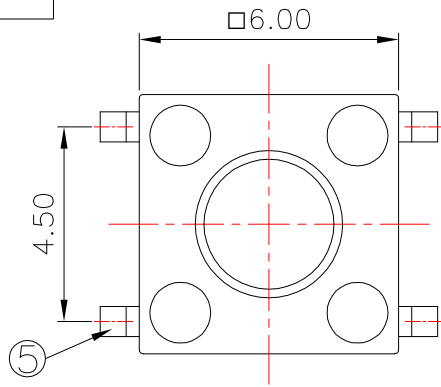
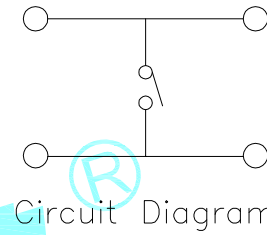


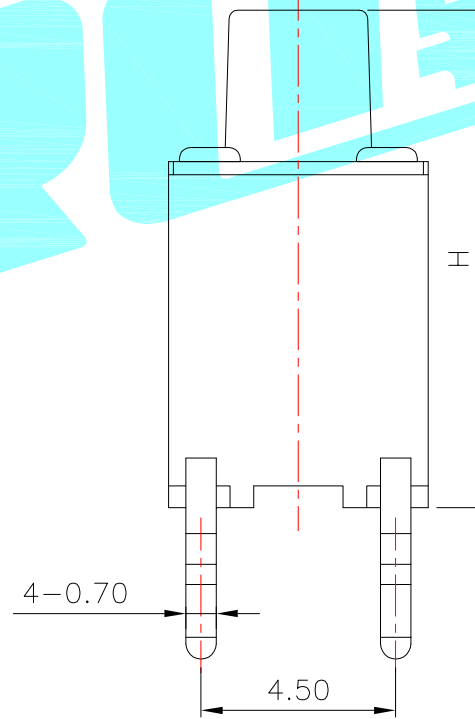
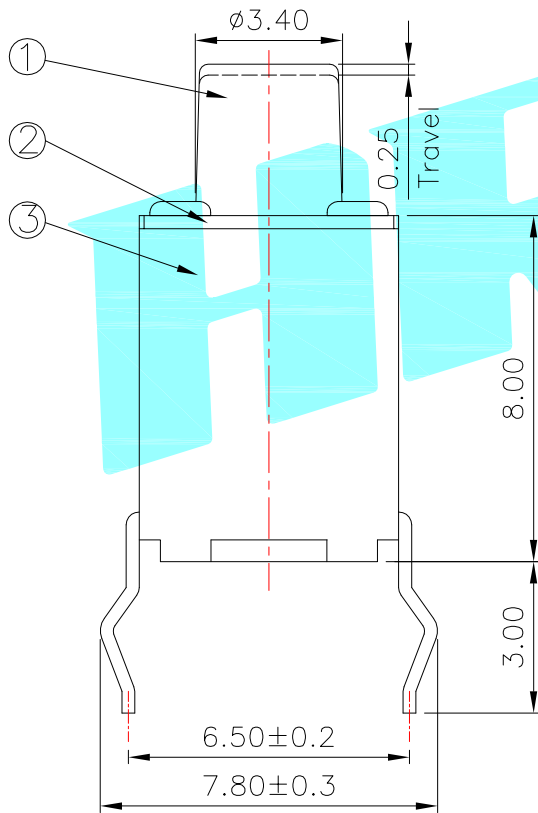
ROHS



PCB Layout (Pattern side)



Circuit Diagram



NO.1	
PART NO	H
O	11
Q	12
S	13
U	14
V	15
W	16
X	17
Y	18

NO.2	
PART NO	vigor
1	90±30
2	130±30
3	180±30
4	250±30
5	350±50

NO.3	
PART NO	MATERIAL/QTY
S	SUS/1PC
C	C5210/1PC
D	SUS/2PCS
F	C5210/2PCS

NO.4-NO.5	
PART NO	NOTE
01~99	SERIAL NUMBER

⑤	Terminal	—	4	Brass(0.30t)	Plating silver	—
④	Contact	—	1	F.Ag/SUS	—	—
③	Base	—	1	Nylon	Black	—
②	Cover	—	1	Brass	Plating Nickel	—
①	Keystoke	—	1	Nylon	Black	—
ITEM	PART NAME	TER'NO.	QTY.	MATERIAL	FINISHING	REMARK

APPROVALS		DATE	HRO 華碩 ELECTRONICS CO.,LTD			
DRAWN	J.X.Zhang	2013/5/30	TITLE:	TACT SWITCHES		
CHECKED			PART NO.	K2-6645DP-□□□W-□□		
APPROVALS			UNIT: mm	SCALE: 1:1	PROJ:	
TOLERANCES ARE		30~以上 ±0.30	ANGLE	±2'	DRAWING NO.	
		10~30 ±0.20				
		5~10 ±0.15				
		~ 5 ±0.10				
ECN NO.	REV.	DATE.	DESCRIPTION.	CHANGE.	CHECK.	APPRO.

_____	A	_____	NEW	_____	_____	_____
ECN NO.	REV.	DATE.	DESCRIPTION.	CHANGE.	CHECK.	APPRO.