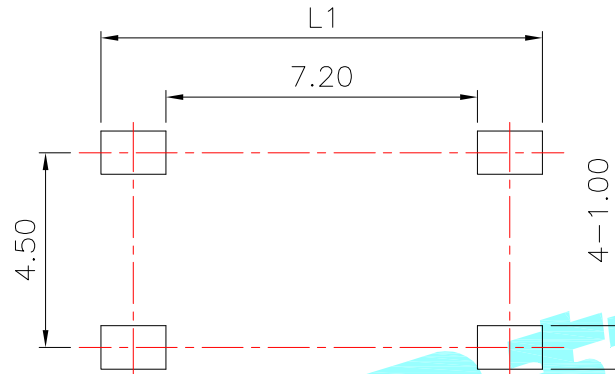
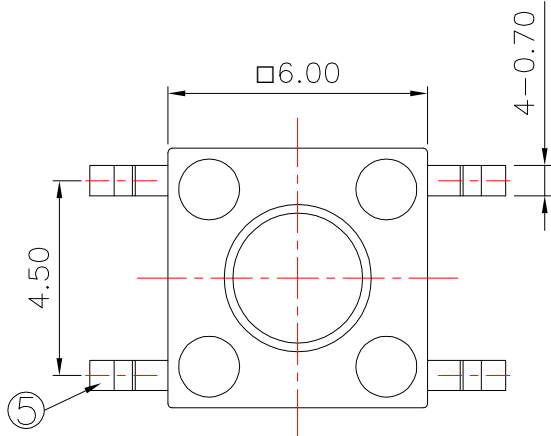
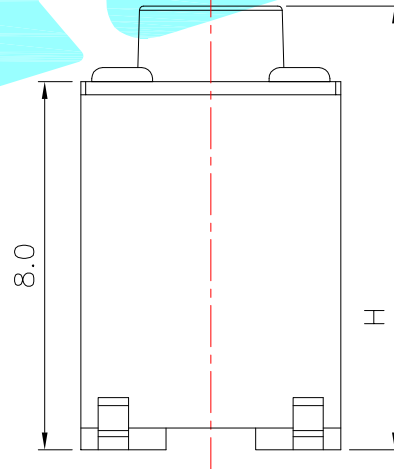
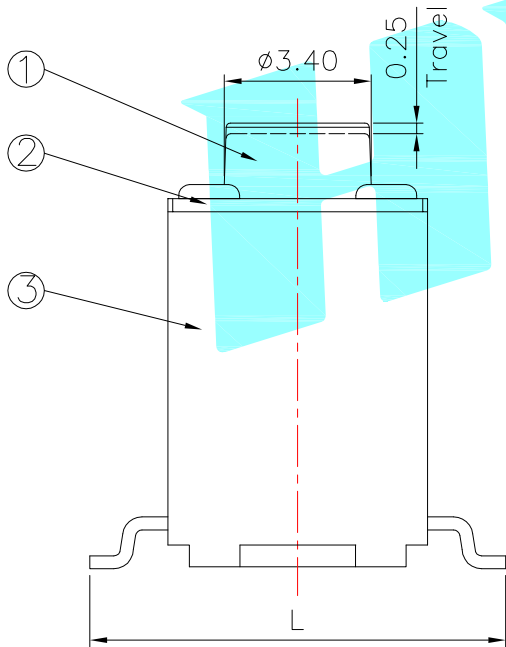


Circuit Diagram



PCB Layout(Pattern side)



NO.1

PART NO	H
O	11
Q	12
S	13
U	14
V	15
W	16
X	17
Y	18

NO.3

PART NO	MATERIAL/QTY
S	SUS/1PC
C	C5210/1PC
D	SUS/2PCS
F	C5210/2PCS

NO.4

PART NO	L	L1
A	8	10
B	8.5	11
C	9	11
D	9.5	12
E	10	12

NO.2

PART NO	vigor
1	90±30
2	130±30
3	180±30
4	250±30
5	350±50

NO.5-NO.6

PART NO	NOTE
01~99	SERIAL NUMBER

⑤	Terminal	—	4	Brass(0.30t)	Plating silver	—
④	Contact	—	1	F.Ag/SUS	—	—
③	Base	—	1	Nylon	Black	—
②	Cover	—	1	Brass	Plating Nickel	—
①	Keystoke	—	1	Nylon	Black	—
ITEM	PART NAME	TER'NO.	QTY.	MATERIAL	FINISHING	REMARK

APPROVALS		DATE	 ELECTRONICS CO.,LTD				
DRAWN	SUNNY	2020.7.7	TITLE:	TACT SWITCHS			
CHECKED			PART NO.	K2-6645SP-□□□□-□□			
APPROVALS			TOLERANCES ARE	30~以上 ±0.30 10~30 ±0.20 5~10 ±0.15 ~ 5 ±0.10	ANGLE	±2'	
ECN NO.		REV.	DATE.	DESCRIPTION.	CHANGE.	CHECK.	APPRO.
UNIT: mm		SCALE: 1:1	PROJ:	DRAWING NO.			SHEET 1 OF 1

ECN NO.	REV.	DATE.	DESCRIPTION.	CHANGE.	CHECK.	APPRO.
	A		NEW			