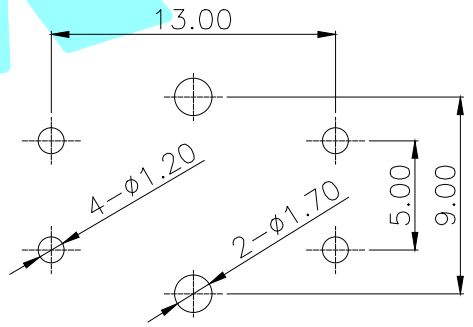
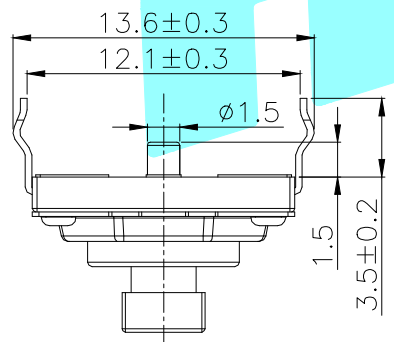


Circuit Diagram

NO.1	
PART NO	vigor
1	90±30
2	130±30
3	180±30
4	250±30
5	350±50



PCB Layout(Pattern side)

NO.2-NO.3	
PART NO	NOTE
01~99	SERIAL NUMBER

ITEM	PART NAME	TER'NO.	QTY.	MATERIAL	FINISHING	REMARK
⑥	Cover	—	1	SUS	Plating Ni	—
⑤	Keystoke	—	1	PBT	Red	—
④	Dust Cover	—	1	PET	—	—
③	Contact	—	1	SUS	Plating Ag	—
②	Base	—	1	PBT	Black	—
①	Terminal	—	4	Brass(0.3t)	Plating Ag	—

APPROVALS		DATE		HRO 廣電 ELECTRONICS CO.,LTD		
DRAWN	J.X.Zhang	2014/2/18		TITLE:	TACT SWITCHS	
CHECKED				PART NO.	K2-1850DT-A□SW-□□	
APPROVALS				UNIT: mm	SCALE: 1:1	PROJ:
TOLERANCES ARE		30~以上	±0.30	ANGLE	DRAWING NO.	SHEET 1 OF 1
		10~30	±0.20			
		5~10	±0.15			
		~ 5	±0.10			

ECN NO.	REV.	DATE.	DESCRIPTION.	CHANGE.	CHECK.	APPRO.
—	A	—	NEW	—	—	—