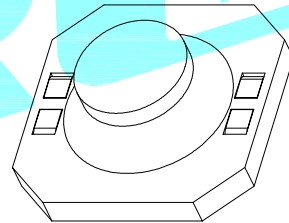
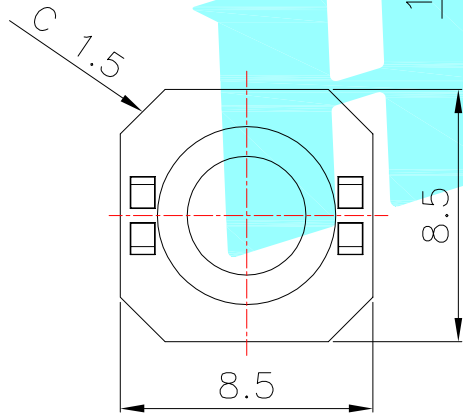
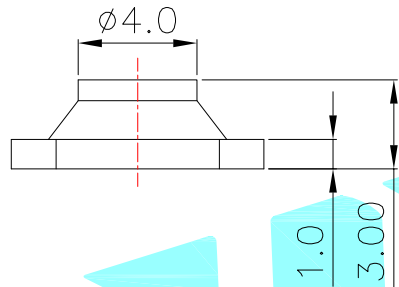


Circuit Diagram

PCB Layout(Pattern side)



NO.1-NO.2	
PART NO	NOTE
01~99	SERIAL NUMBER

NOTE:
 Forcel: 90 ± 30 gf
 Travel: 1.0 ± 0.2 mm
 Life: 2,000,000 Cycles

②	Terminal	—	2	Brass	Plating silver	—
①	Keystoke	—	1	Silica gel	Red	—
ITEM	PART NAME	TER'NO.	QTY.	MATERIAL	FINISHING	REMARK
APPROVALS			DATE	ELECTRONICS CO.,LTD		
DRAWN	LIUCAN	2022.2.18				
CHECKED				TITLE:	TACT SWITCHES	
APPROVALS				PART NO.	K2-8808SP-A1EW-□□	
TOLERANCES ARE		30~以上	±0.30	ANGLE	UNIT: mm	SCALE: 1:1
		10~30	±0.20			
		5~10	±0.15			
		~ 5	±0.10			
				±2'	DRAWING NO.	—
				PROJ:	SHEET 1 OF 1	

ECN NO.	REV.	DATE.	DESCRIPTION.	CHANGE.	CHECK.	APPRO.
	A		NEW			