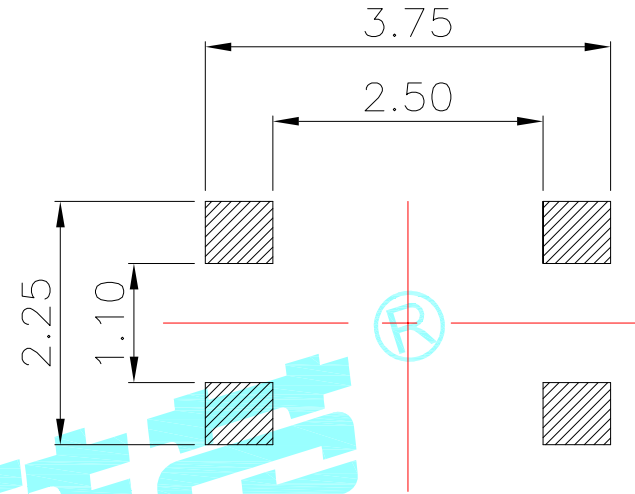
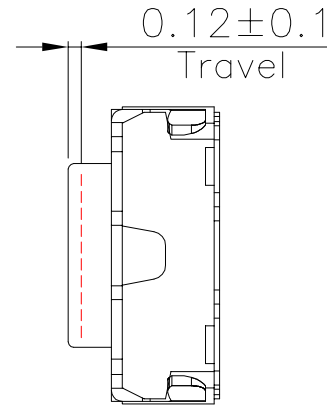
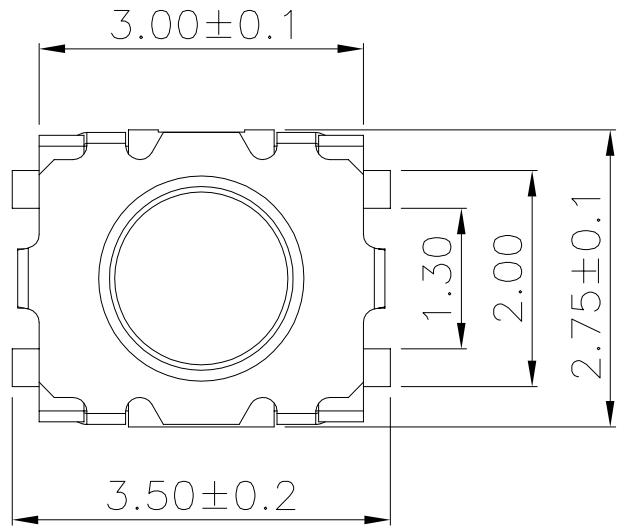
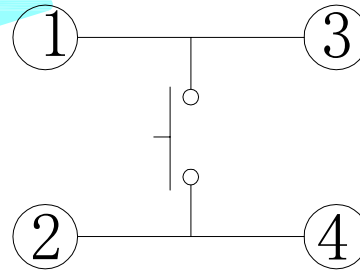
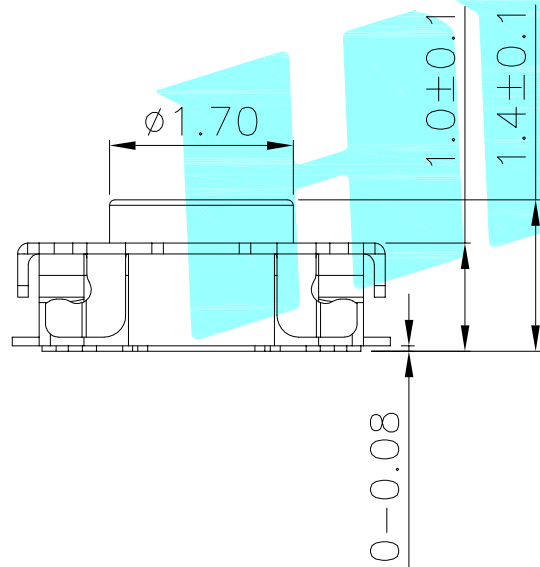


ROHS



NO.2	
PART NO	VIGOR
3	180±30
4	250±30

NO.3-NO.4	
PART NO	NOTE
01~99	SERIAL NUMBER



Circuit diagram

Typical Specifications
 1. Rating : DC 15V 20mA
 2. Life : 100,000 Cycles

ITEM	PART NAME	TER'NO.	QTY.	MATERIAL	FINISHING	REMARK
⑤	Terminal	—	4	Phosphor Bronze	Plating silver	—
④	Contact	—	2	F.Ag/SUS	—	—
③	Base	—	1	LCP	Black	—
②	Cover	—	1	SUS	Plating Nickel	—
①	Keystoke	—	1	LCP	White	—

APPROVALS		DATE	HRO 韓綜® ELECTRONICS CO.,LTD			
DRAWN	LIUCAN	2021.11.3	TITLE:		TACT SWITCHES	
CHECKED			PART NO.		K2-1849SN-A0DW-□□	
APPROVALS			UNIT: mm	SCALE: 1:1	PROJ:	
TOLERANCES ARE		30~以上 ±0.30 10~30 ±0.20 5~10 ±0.15 ~ 5 ±0.10	ANGLE	±2'	DRAWING NO.	SHEET 1 OF 1

ECN NO.	REV.	DATE.	DESCRIPTION.	CHANGE.	CHECK.	APPRO.
—	B	—	NEW	—	—	—
—	A	—		—	—	—