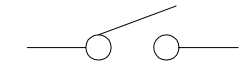
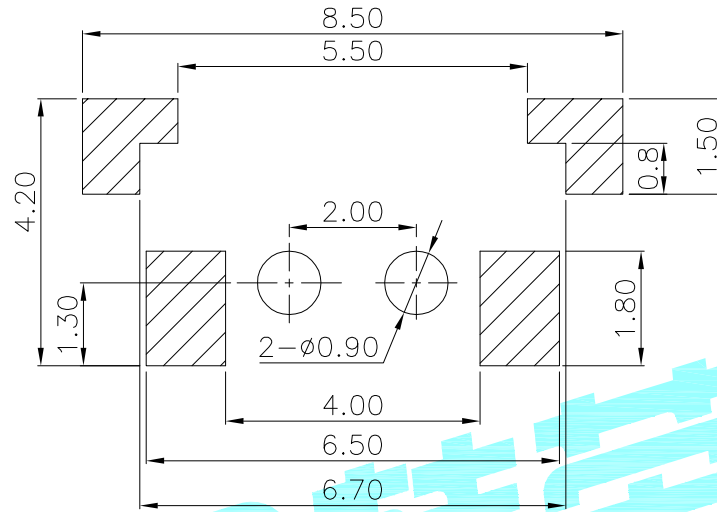
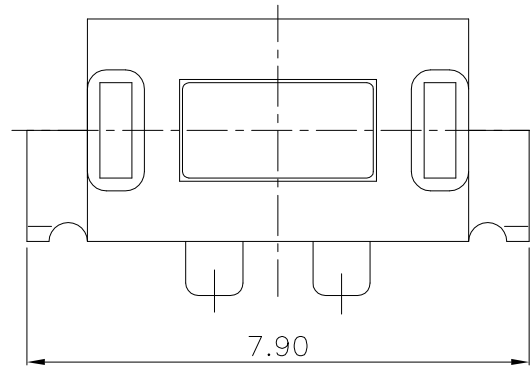


ROHS



Circuit diagram

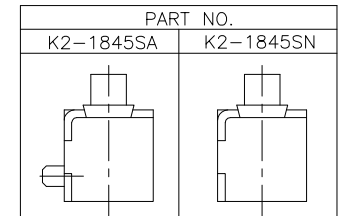
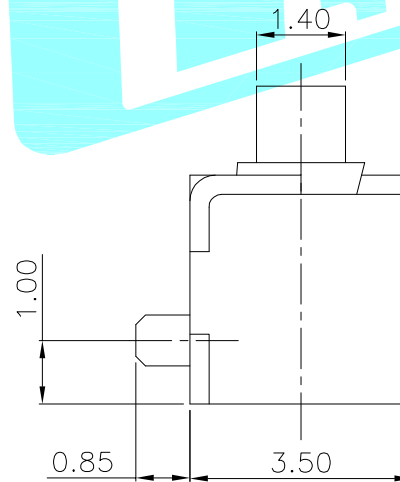
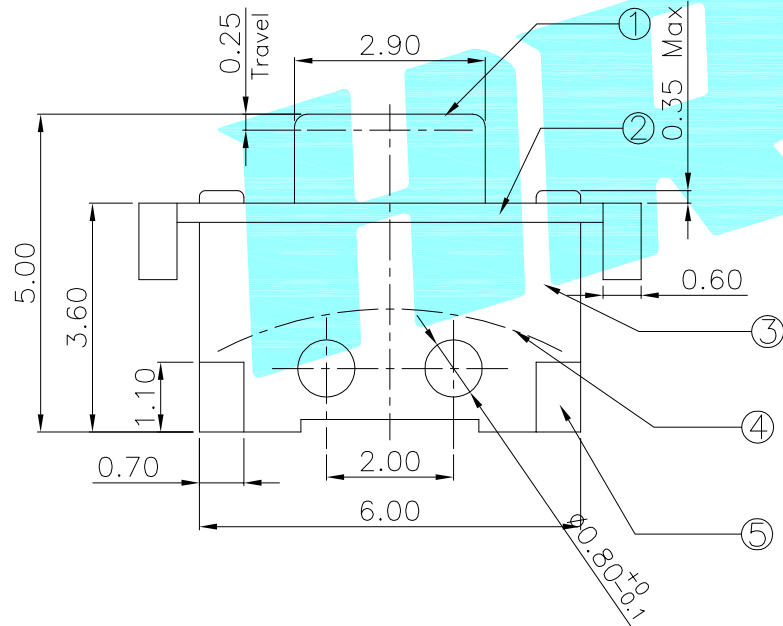
NO.1	
PART NO	vigor
1	90±30
2	130±30
3	180±30
4	250±30
5	350±50

NO.2	
PART NO	MATERIAL/QTY
S	SUS/1PC
D	SUS/2PCS

NO.3-NO.4	
PART NO	NOTE
01~99	SERIAL NUMBER



PCB Layout recommended



⑤	Terminal	—	2	Brass	Plating silver	—
④	Contact	—	1	F.Ag/SUS	Natural	—
③	Base	—	1	Nylon	Black	—
②	Cover	—	1	Copper Alloy	Plating Nickel	—
①	Keystoke	—	1	Nylon	White	—
ITEM	PART NAME	TER'NO.	QTY.	MATERIAL	FINISHING	REMARK

APPROVALS		DATE	HRO 德 ELECTRONICS CO.,LTD			
DRAWN	xu qi feng	2014/10/22	TITLE:	TACT SWITCHS		
CHECKED			PART NO.	K2-1845SA-D4SW-04		
APPROVALS			TOLERANCES ARE	30~以上 ±0.30	10~30 ±0.20	ANGLE
				5~10 ±0.15	~ 5 ±0.10	±2'
UNIT:	mm	SCALE:	1:1	PROJ:		
DRAWING NO.		SHEET	1 OF 1			

ECN NO.	REV.	DATE.	DESCRIPTION.	CHANGE.	CHECK.	APPRO.
	A		NEW			