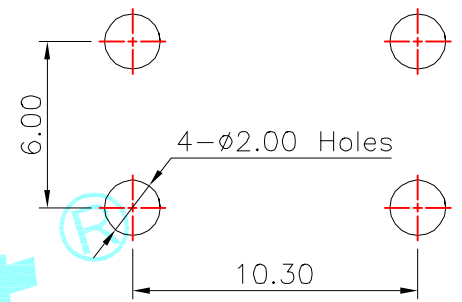
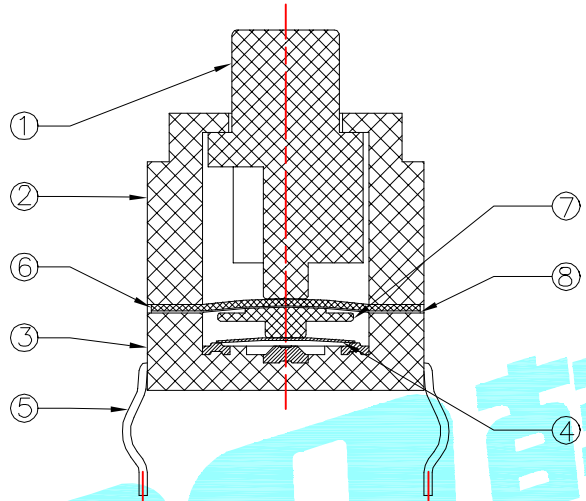
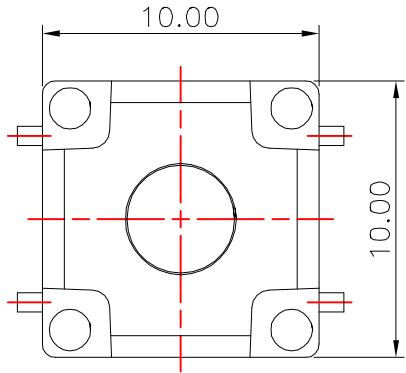
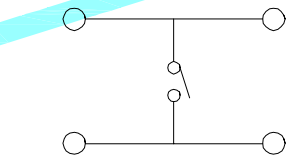
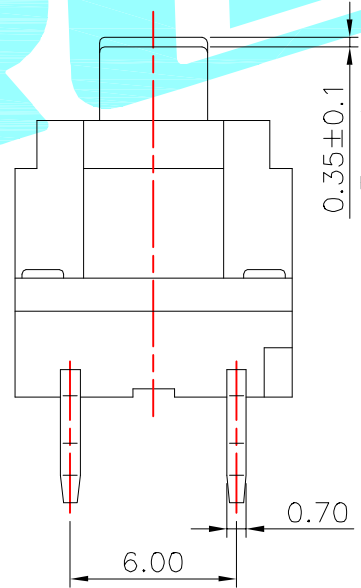
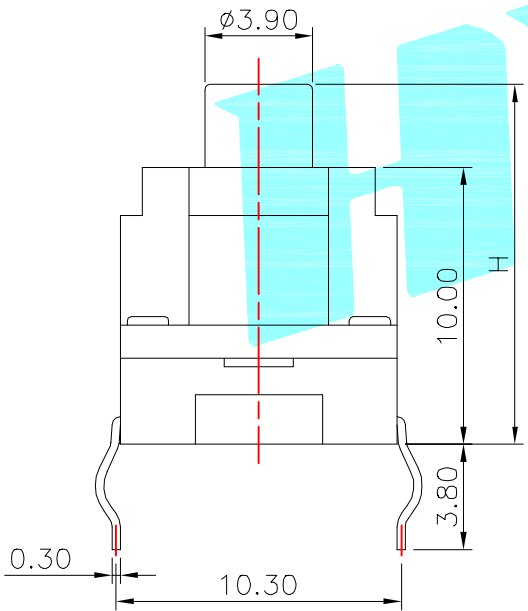


ROHS



PCB Layout(Pattern side)



Circuit Diagram

NO.1	
PART NO	H
S	13
T	13.5
U	14
V	15
W	16
X	17
Y	18
Z	19
1	15.5
2	16.5
3	14.5
4	17.5
5	23.0

NO.2	
PART NO	vigor
4	250±30
5	350±50

NO.3	
PART NO	MATERIAL/QTY
S	SUS/1PC
C	C5210/1PC
D	SUS/2PCS
F	C5210/2PCS

NO.4-NO.5	
PART NO	NOTE
01~99	SERIAL NUMBER

⑧	Dust Cover	—	1	Kapton Film	Yellow	—
⑦	Gasket	—	1	Nylon	Black	—
⑥	Waterproof Silicone	—	1	Silica gel	Black	—
⑤	Terminal	—	4	Brass(0.3t)	Plating silver	—
④	Contact	—	1	F.Ag/C5210	White	—
③	Base	—	1	Nylon	Black	—
②	Cover	—	1	Nylon	Black	—
①	Keystoke	—	1	Nylon	Black	—
ITEM	PART NAME	TER'NO.	QTY.	MATERIAL	FINISHING	REMARK

APPROVALS		DATE	HRO 華榮 ELECTRONICS CO.,LTD			
DRAWN	J.X.Zhang	2013/6/13	TITLE:	TACT SWITCHS		
CHECKED			PART NO.	K2-1844DP-□□□W-□□		
APPROVALS			TOLERANCES ARE	30~以上 ±0.30	10~30 ±0.20	ANGLE
				5~10 ±0.15	~ 5 ±0.10	±2'
			UNIT:	mm	SCALE:	1:1
			DRAWING NO.		PROJ:	①
					SHEET	1 OF 1

ECN NO.	REV.	DATE.	DESCRIPTION.	CHANGE.	CHECK.	APPRO.
	A		NEW			