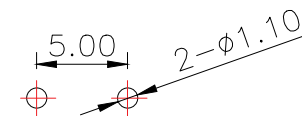
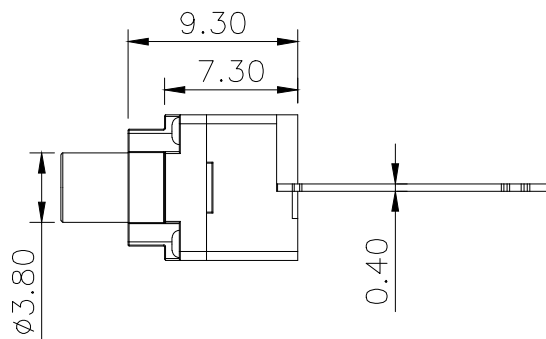
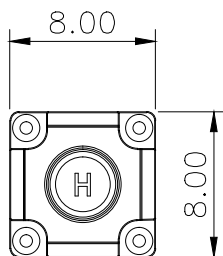
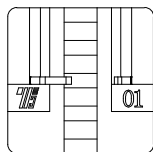
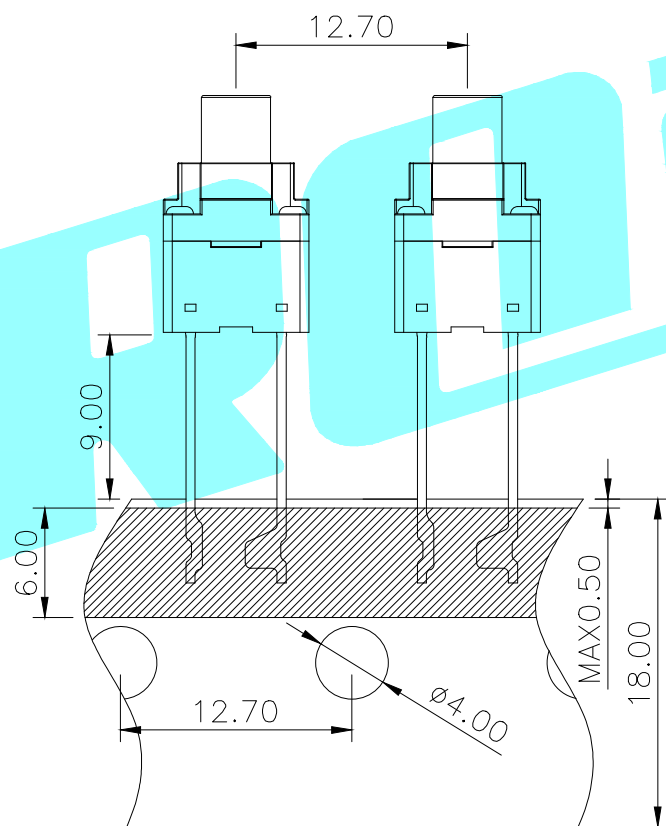
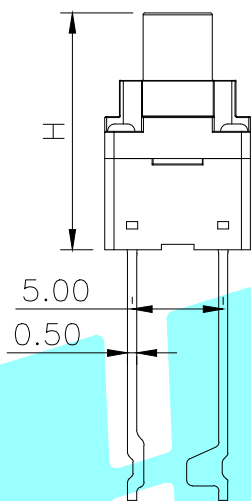


ROHS



PCB Layout(Pattern side)



Circuit Diagram

Typical Specifications

- 1.Rating : DC 12V 50mA
- 2.Contact Resistance: $\leq 50m\Omega$
- 3.Insulation Resistance: $\geq 100m\Omega$
- 4.Operating Force: $250\pm 40gf$
- 5.Travel: $0.35\pm 0.1mm$
- 6.Life : 100,000 Cycles
- 7.Waterproof level: IP67

NO.1	
PART NO	H
A	12.8
B	13.0
C	15.0

NO.2-NO.3	
PART NO	NOTE
01~99	SERIAL NUMBER

⑦	Waterproof membrane	—	1	PI	Yellow	—
⑥	Waterproof pad	—	1	Silica gel	Black	—
⑤	Cover	—	1	PPA	Black	—
④	Keystoke	—	1	PPA	Black	—
③	Contact	—	1	F.Ag/SUS	Plating silver	—
②	Base	—	1	PPA	Black	—
①	Terminal	—	2	Brass(0.4t)	Plating silver	—
ITEM	PART NAME	TER'NO.	QTY.	MATERIAL	FINISHING	REMARK

APPROVALS		DATE	HRO 韓榮® ELECTRONICS CO.,LTD			
DRAWN	LIUCAN	2021.9.24	TITLE:	TACT SWITCHS		
CHECKED			PART NO.	K2-1843DZ-□4SW-□□		
APPROVALS			UNIT: mm	SCALE: 1:1	PROJ:	
TOLERANCES ARE	30~以上 10~30 5~10 ~ 5	±0.30 ±0.20 ±0.15 ±0.10	ANGLE	DRAWING NO.	SHEET 1 OF 1	

ECN NO.	REV.	DATE.	DESCRIPTION.	CHANGE.	CHECK.	APPRO.
—	A	—	NEW	—	—	—