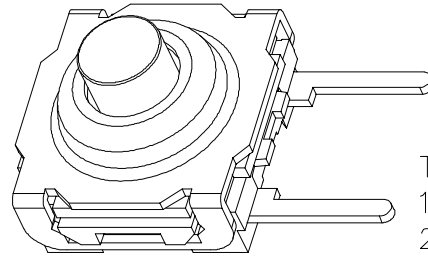
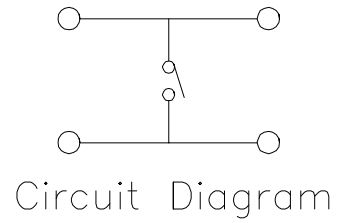
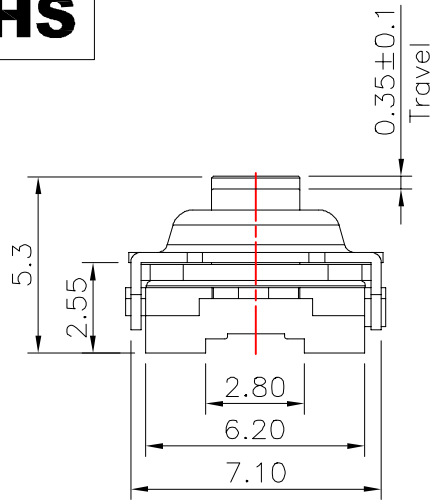
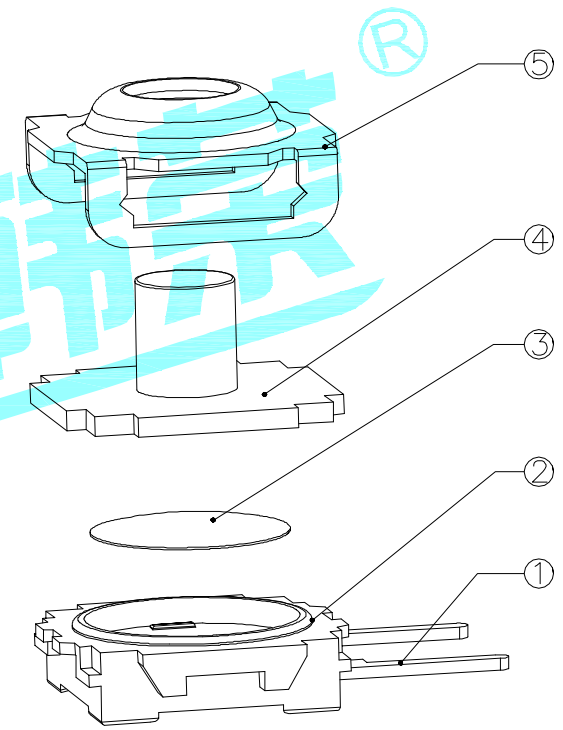
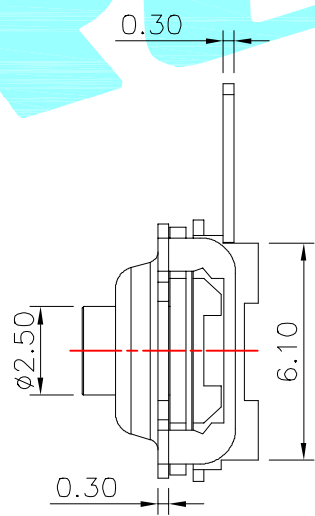
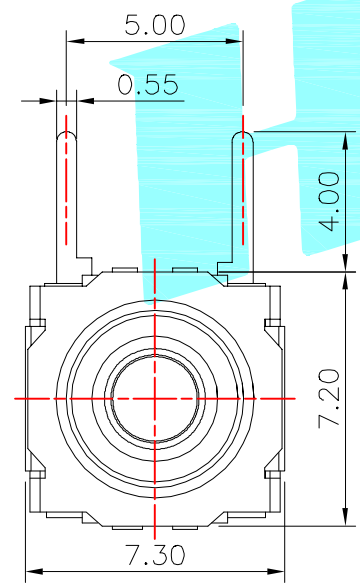
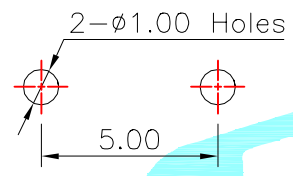


**ROHS**



Typical Specifications :  
 1. Rating : DC 12V 50mA  
 2. Life:100,000 Cycles Min.



NO.1

PART NO	vigor
4	250±30
5	350±50

NO.2

PART NO	MATERIAL/QTY
S	SUS/1PC
C	C5210/1PC
D	SUS/2PCS
F	C5210/2PCS

NO.3-NO.4

PART NO	NOTE
01~99	SERIAL NUMBER

⑤	Cover	—	1	Brass	Tin Plated	—
④	Keystoke	—	1	Silica gel	Red	—
③	Contact	—	1	F.Ag/C5210	Plating silver	—
②	Base	—	1	PPA	Black	—
①	Terminal	—	4	Copper(0.3t)	Plating silver	—
ITEM	PART NAME	TER'NO.	QTY.	MATERIAL	FINISHING	REMARK

APPROVALS		DATE	HROELECTRONICS CO.,LTD			
DRAWN	xu qi feng	2014.11.26	ELECTRONICS CO.,LTD			
CHECKED			TITLE:	TACT SWITCHS		
APPROVALS			PART NO.	K2-1846DF-A□□W-□□		
TOLERANCES ARE	30~以上	±0.30	ANGLE	UNIT: mm	SCALE: 1:1	PROJ:
	10~30	±0.20				
	5~10	±0.15				
	~ 5	±0.10	±2'	DRAWING NO.		SHEET 1 OF 1

ECN NO.	REV.	DATE.	DESCRIPTION.	CHANGE.	CHECK.	APPRO.
	A		NEW			