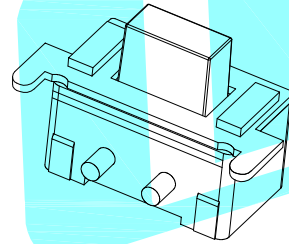
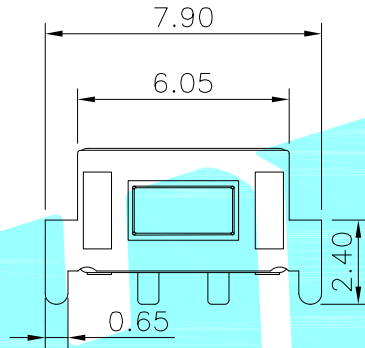


PCB Layout(Pattern side)

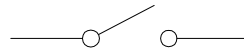


NO.1	
PART NO	H
B	4.3
D	5.0
E	6.0
F	6.3

NO.2-NO.3	
PART NO	NOTE
01~99	SERIAL NUMBER

Typical Specifications

- 1.Rating : DC 12V 50mA
- 2.Contact Resistance: $\leq 100m\Omega$
- 3.Insulation Resistance: $\geq 100m\Omega$
- 4.Operating Force: $250\pm 50gf$
- 5.Travel: $0.20\pm 0.1mm$
- 6.Life : 30,000 Cycles



Circuit Diagram

⑥	Waterproof pad	—	1	silica gel	Black	—
⑤	Cover	—	1	Brass	Tin Plated	—
④	Keystoke	—	1	PPA	White	—
③	Contact	—	1	F.Ag/SUS	Plating silver	—
②	Base	—	1	PPA	Black	—
①	Terminal	—	2	Brass(0.3t)	Plating silver	—
ITEM	PART NAME	TER'NO.	QTY.	MATERIAL	FINISHING	REMARK

APPROVALS		DATE		 ELECTRONICS CO.,LTD				
DRAWN	LIUCAN	2021.9.24					TITLE:	TACT SWITCHES
CHECKED				PART NO.	K2-1845SD-□4SW-□□			
APPROVALS				TOLERANCES ARE	30~以上 ±0.30 10~30 ±0.20 5~10 ±0.15 ~ 5 ±0.10	ANGLE UNIT: mm SCALE: 1:1 PROJ:		
ECN NO.	REV.	DATE.	DESCRIPTION.	CHANGE.	CHECK.	APPRO.	DRAWING NO.	SHEET 1 OF 1

ECN NO.	REV.	DATE.	DESCRIPTION.	CHANGE.	CHECK.	APPRO.
	A		NEW			