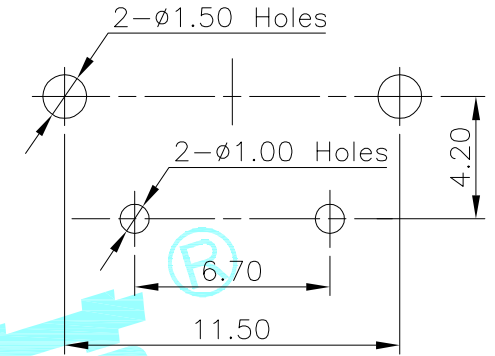
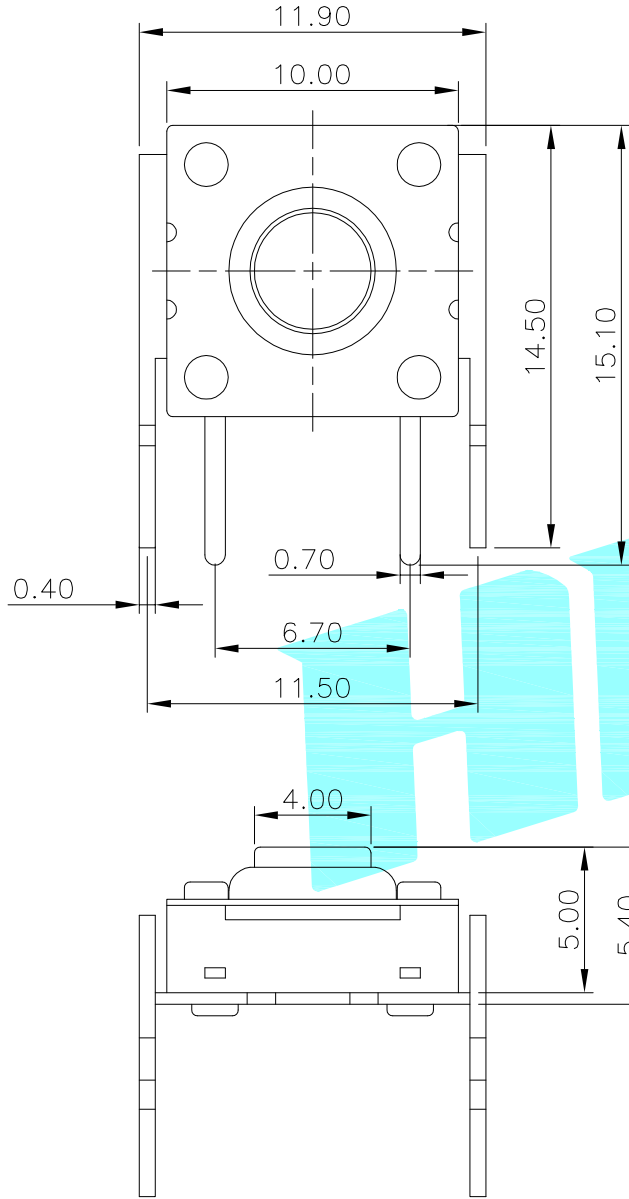


ROHS

Typical Specifications :
 1. Rating : DC 12V 50mA
 2. Life:100,000 Cycles Min.

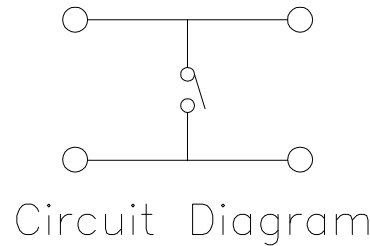


PCB Layout (Pattern side)

NO.2	
PART NO	vigor
4	250 \pm 30

NO.3	
PART NO	MATERIAL/QTY
S	SUS/1PC

NO.4-NO.5	
PART NO	NOTE
01~99	SERIAL NUMBER



⑦	Gasket	—	1	Nylon	—	—
⑥	Waterproof Silicone	—	1	Silica gel	—	—
⑤	Terminal	—	4	Brass(0.3t)	Plating silver	—
④	Contact	—	1	F.Ag/SUS	—	—
③	Base	—	1	Nylon	Black	—
②	Cover	—	1	SUS	—	—
①	Keystoke	—	1	Nylon	Red	—
ITEM	PART NAME	TER'NO.	QTY.	MATERIAL	FINISHING	REMARK

APPROVALS		DATE	 ELECTRONICS CO.,LTD			
DRAWN	J.X.Zhang	2018/8/1				
CHECKED			TITLE:	TACT SWITCHS		
APPROVALS			PART NO.	K2-1842AP-C4SW-□□		
TOLERANCES ARE	30~以上	\pm 0.30	ANGLE	UNIT: mm	SCALE: 1:1	PROJ:
	10~30	\pm 0.20				
	5~10	\pm 0.15	\pm 2'	DRAWING NO.	—	SHEET 1 OF 1
	~ 5	\pm 0.10				

—	A	—	NEW	—	—	—
ECN NO.	REV.	DATE.	DESCRIPTION.	CHANGE.	CHECK.	APPRO.