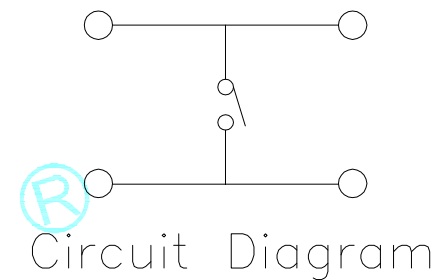
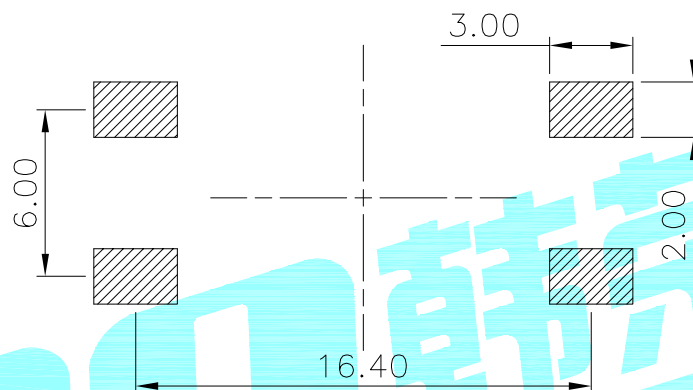
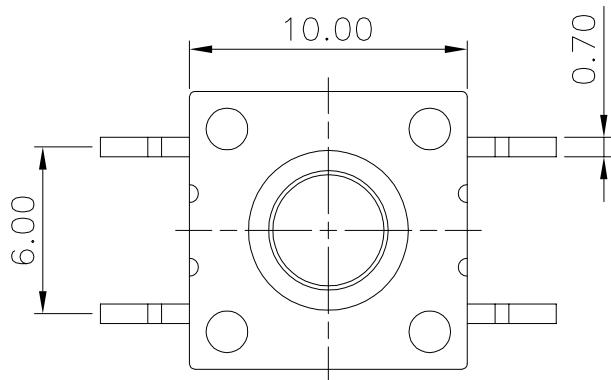


ROHS

Typical Specifications :
 1. Rating : DC 12V 50mA
 2. Life:100,000 Cycles Min.

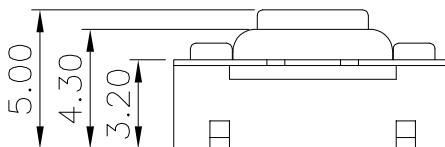
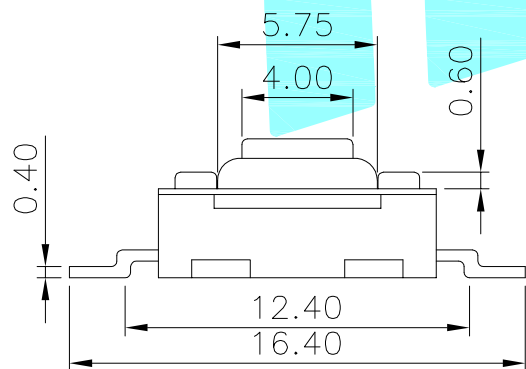


NO.2	
PART NO	vigor
4	250±30

NO.3	
PART NO	MATERIAL/QTY
S	SUS/1PC

NO.4-NO.5	
PART NO	NOTE
01~99	SERIAL NUMBER

PCB Layout(Pattern side)



⑦	Gasket	—	1	Nylon	—	—
⑥	Waterproof Silicone	—	1	Silica gel	—	—
⑤	Terminal	—	4	Brass(0.3t)	Plating silver	—
④	Contact	—	1	F.Ag/SUS	—	—
③	Base	—	1	Nylon	Black	—
②	Cover	—	1	SUS	—	—
①	Keystoke	—	1	Nylon	Red	—
ITEM	PART NAME	TER'NO.	QTY.	MATERIAL	FINISHING	REMARK

APPROVALS			DATE		 ELECTRONICS CO.,LTD	
DRAWN	J.X.Zhang	2018/8/1				
CHECKED					TITLE: TACT SWITCHS	
APPROVALS					PART NO. K2-1842SP-C4SW-□□	
TOLERANCES ARE			30~以上 ±0.30	ANGLE	UNIT: mm	
			10~30 ±0.20		SCALE: 1:1	
			5~10 ±0.15		PROJ:	
			~ 5 ±0.10		DRAWING NO. SHEET 1 OF 1	

—	A	—	NEW	—	—	—
ECN NO.	REV.	DATE.	DESCRIPTION.	CHANGE.	CHECK.	APPRO.