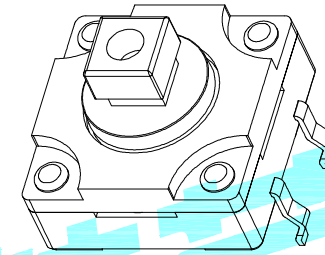
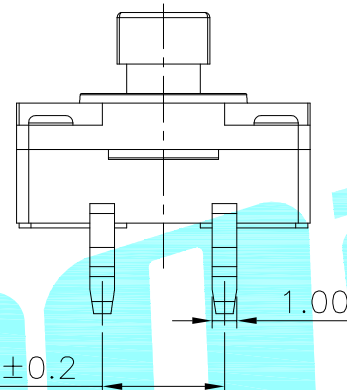
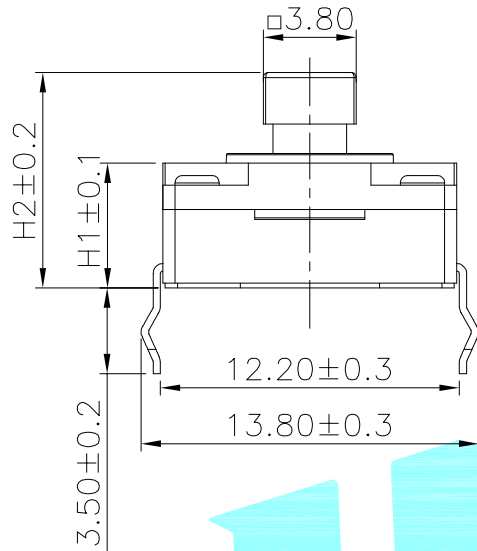


**ROHS**

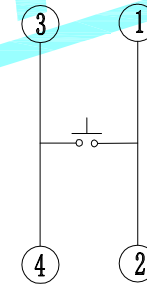
NO.2		
PART NO	H1	H2
A	3.8	7.3
B	5.1	8.8



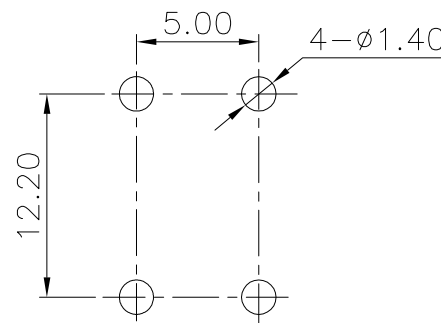
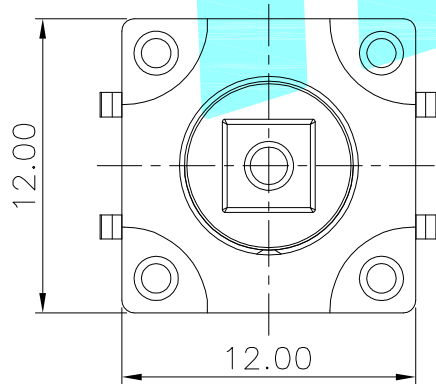
NO.2	
PART NO	vigor
4	250±30

NO.3	
PART NO	MATERIAL/QTY
S	SUS/1PC

NO.4-NO.5	
PART NO	NOTE
01~99	SERIAL NUMBER



Typical Specifications  
 1.Rating : DC 12V 30mA  
 2.Life : 50,000 Cycles  
 3.IP Rating: IP67



Circuit Diagram

PCB Layout(Pattern side)

⑦	Gasket	—	1	Nylon	—	—
⑥	Waterproof Silicone	—	1	Silica gel	—	—
⑤	Terminal	—	4	Brass(0.3t)	Plating silver	—
④	Contact	—	1	F.Ag/C5210	—	—
③	Base	—	1	Nylon	Black	—
②	Cover	—	1	Nylon	—	—
①	Keystoke	—	1	Nylon	Black	—
ITEM	PART NAME	TER'NO.	QTY.	MATERIAL	FINISHING	REMARK

APPROVALS		DATE	 ELECTRONICS CO.,LTD			
DRAWN	J.X.Zhang	2018/08/01				
CHECKED			TITLE:	TACT SWITCHS		
APPROVALS			PART NO.	K2-1841DT-□4SW-□□		
TOLERANCES ARE		30~以上 ±0.30	ANGLE	UNIT: mm	SCALE: 1:1	PROJ:
		10~30 ±0.20				
		5~10 ±0.15	±2'	DRAWING NO.		SHEET 1 OF 1
		~ 5 ±0.10				

—	A	—	NEW	—	—	—
ECN NO.	REV.	DATE.	DESCRIPTION.	CHANGE.	CHECK.	APPRO.