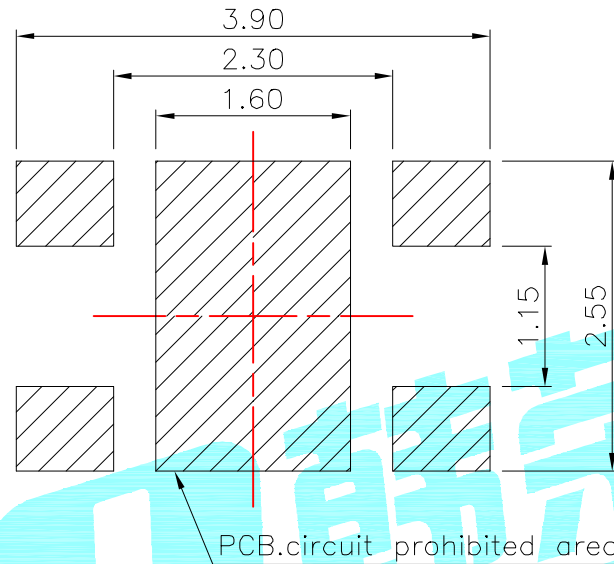
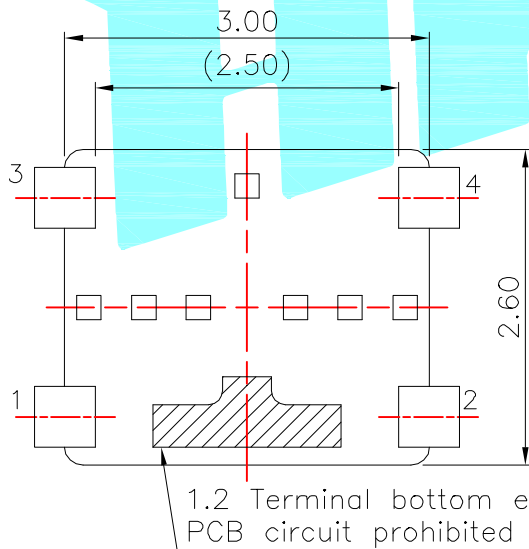
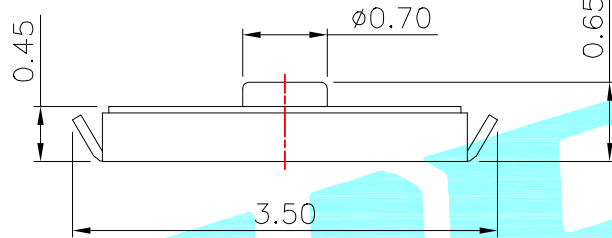
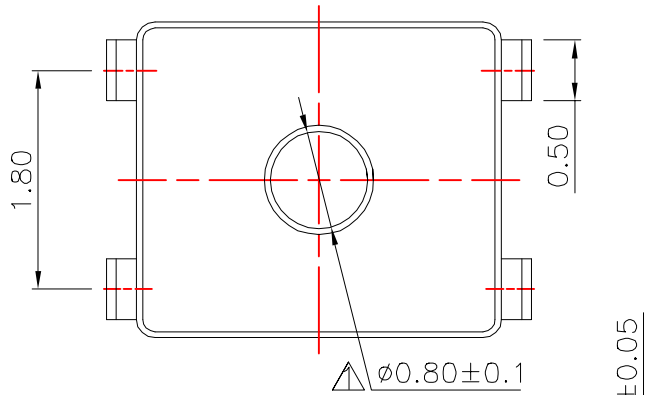
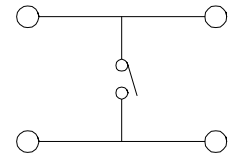
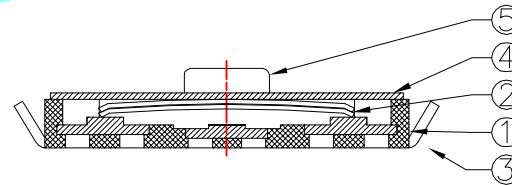


ROHS



PCB Layout (Pattern Side)



Circuit Diagram

NO.1	
PART NO	vigor
1	90±30
2	130±30
3	180±30
4	250±30
5	350±50

NO.2-NO.3	
PART NO	NOTE
01~99	SERIAL NUMBER

Typical Specifications :
 1. Rating : DC 12V 50mA
 2. Life:300,000 Cycles Min.
 3. Travel:0.15±0.05mm

⑤	Knob	—	1	PET	Black	—
④	Dust cover	—	1	KAPTON FILM	Yellow	—
③	Terminal	—	4	Phosphor Bronze	Plating silver	—
②	Contact	—	2	F.Ag/SUS	Plating silver	—
①	Base	—	1	Nylon	Black	—
ITEM	PART NAME	TER'NO.	QTY.	MATERIAL	FINISHING	REMARK

APPROVALS			DATE		HROELECTRONICS CO.,LTD		
DRAWN	J.X.Zhang		2013/8/08		ELECTRONICS CO.,LTD		
CHECKED					TITLE:	TACT SWITCHS	
APPROVALS					PART NO.	K2-1828UQ-C□DW-□□	
TOLERANCES ARE	30~以上	±0.30	ANGLE	UNIT: mm	SCALE: 1:1	PROJ:	SHEET 1 OF 1
	10~30	±0.20					
	5~10	±0.15	±2'				
	~ 5	±0.10					

ECN NO.	REV.	DATE.	DESCRIPTION.	CHANGE.	CHECK.	APPRO.
—	B	—		—	—	—
—	A	—	NEW	—	—	—