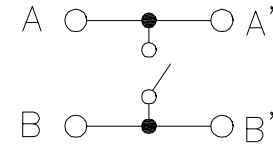
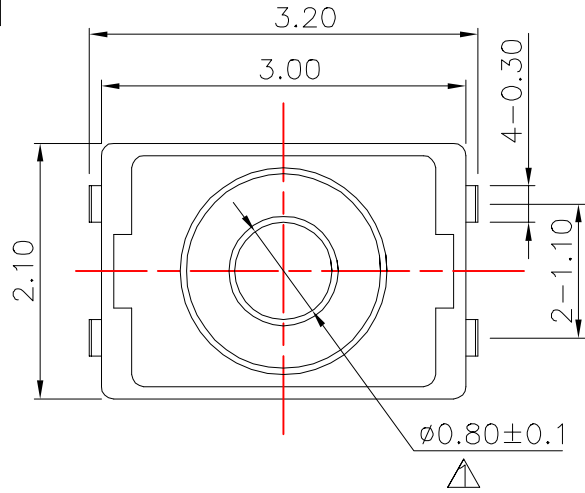
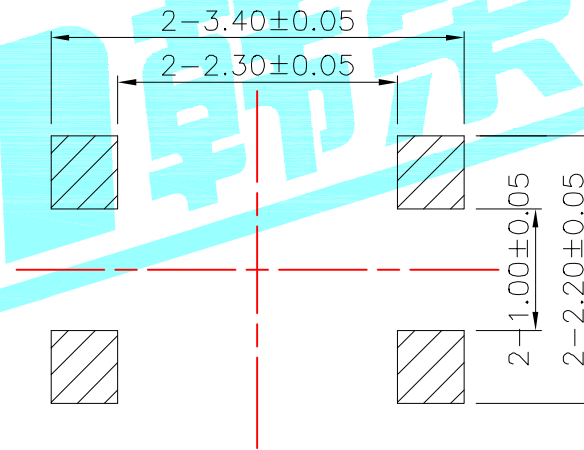
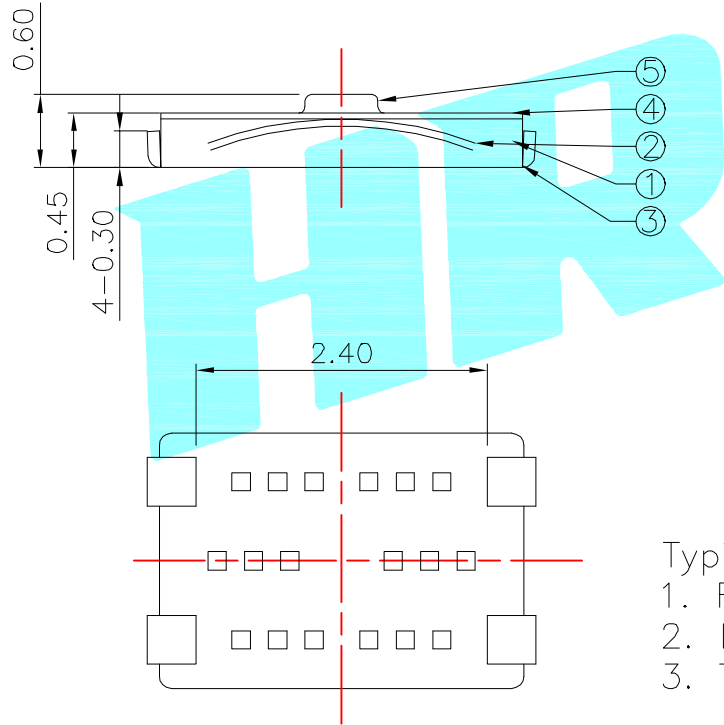


ROHS



Circuit Diagram

NO.1	
PART NO	vigor
3	180±30
5	350±30



PCB Layout (Pattern Side)

NO.2-NO.3	
PART NO	NOTE
01~99	SERIAL NUMBER

Typical Specifications :
 1. Rating : DC 12V 50mA
 2. Life:500,000 Cycles Min.
 3. Travel:0.15±0.05mm

⑤	Knob	—	1	PET	Black	—
④	Dust cover	—	1	KAPTON FILM	Yellow	—
③	Terminal	—	4	Phosphor Bronze	Plating silver	—
②	Contact	—	2	F.Ag/SUS	Plating silver	—
①	Base	—	1	Nylon	Black	—
ITEM	PART NAME	TER'NO.	QTY.	MATERIAL	FINISHING	REMARK

APPROVALS			DATE		 ELECTRONICS CO.,LTD	
DRAWN	XU QI FENG		2014.11.19			
CHECKED					TITLE:	TACT SWITCHS
APPROVALS					PART NO.	K2-1837UQ-CDDW-06
TOLERANCES ARE		30~以上	±0.30	ANGLE	UNIT: mm	SCALE: 1:1
		10~30	±0.20			
		5~10	±0.15			
		~ 5	±0.10			
			±2'	DRAWING NO.		
				PROJ:		SHEET 1 OF 1

—	B	—	 NEW	—	—	—
—	A	—		CHANGE.	CHECK.	APPRO.
ECN NO.	REV.	DATE.	DESCRIPTION.	CHANGE.	CHECK.	APPRO.