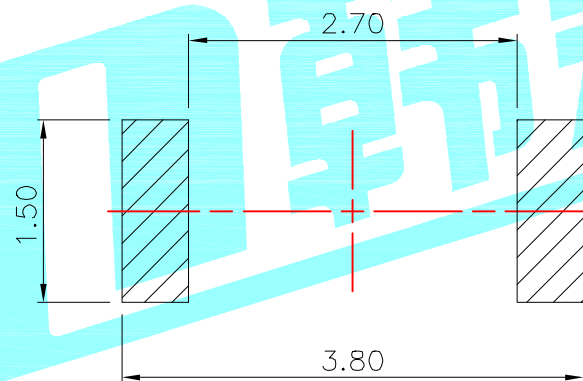
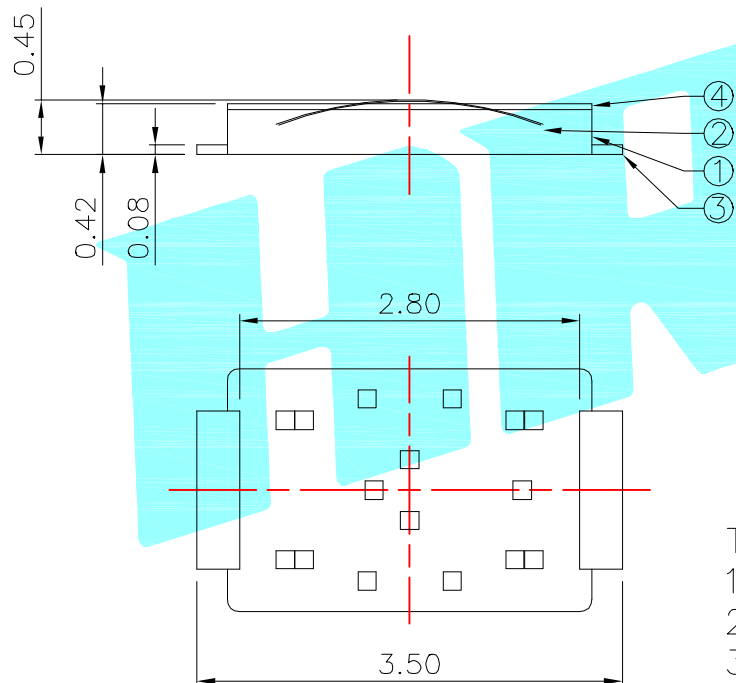


Circuit Diagram

NO.1	
PART NO	vigor
2	100±30
3	180±30
4	250±30



PCB Layout (Pattern Side)

NO.2	
PART NO	MATERIAL/QTY
S	SUS/1PC
D	SUS/2PCS

NO.3-NO.4	
PART NO	NOTE
01~99	SERIAL NUMBER

- Typical Specifications :
1. Rating : DC 12V 50mA
  2. Travel:0.15±0.05mm
  3. Operating force:  
100gf,180gf,250gf
  4. Life:100,000 Cycles Min.

④	Dust cover	—	1	KAPTON FILM	Yellow	—
③	Terminal	—	2	Phosphor Bronze	Plating silver	—
②	Contact	—	2	F.Ag/SUS	Plating silver	—
①	Base	—	1	Nylon	Black	—
ITEM	PART NAME	TER'NO.	QTY.	MATERIAL	FINISHING	REMARK

APPROVALS		DATE		 ELECTRONICS CO.,LTD		
DRAWN	QIFENG.XU	2014/9/13				
CHECKED				TITLE: TACT SWITCHS		
APPROVALS				PART NO. K2-1827SR-A□□□-□□		
TOLERANCES ARE		30~以上	±0.30	ANGLE	UNIT: mm	
		10~30	±0.20		SCALE: 1:1	
		5~10	±0.15		PROJ:	
		~ 5	±0.10		DRAWING NO. SHEET 1 OF 1	

—	A	—	NEW	—	—	—
ECN NO.	REV.	DATE.	DESCRIPTION.	CHANGE.	CHECK.	APPRO.