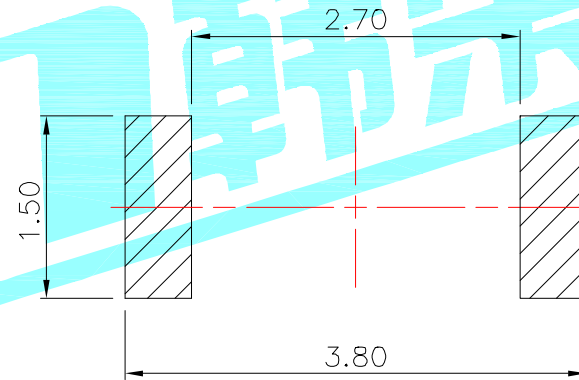
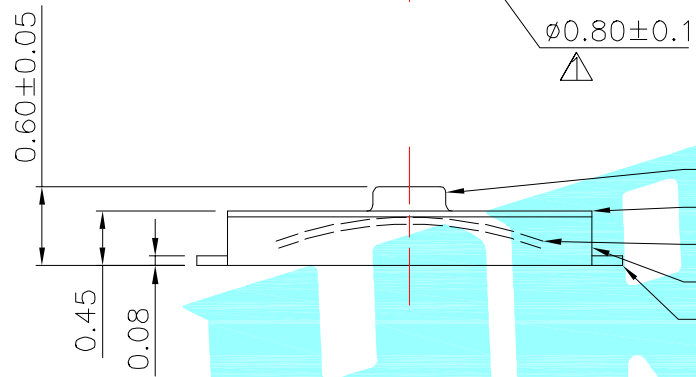
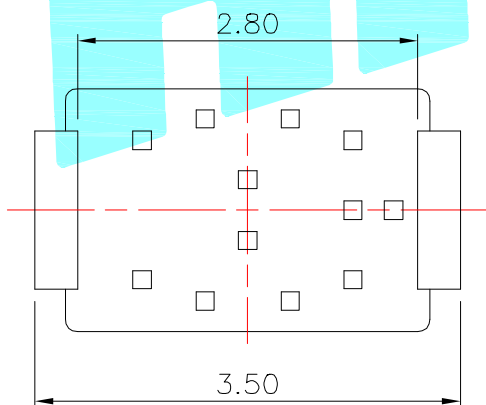


Circuit Diagram



PCB Layout (Pattern Side)



Note:

Travel: 0.15 ± 0.05 mm
 Operating force: 180 ± 40 gf



NO.1	
PART NO	MATERIAL/QTY
S	SUS/1PC
D	SUS/2PCS

NO.2-NO.3	
PART NO	NOTE
01~99	SERIAL NUMBER

⑤	Knob	—	1	PET	Black	—
④	Dust cover	—	1	KAPTON FILM	Yellow/White	△
③	Terminal	—	2	Phosphor Bronze	Plating silver	—
②	Contact	—	2	F.Ag/SUS	Plating silver	—
①	Base	—	1	Nylon	Black	—
ITEM	PART NAME	TER'NO.	QTY.	MATERIAL	FINISHING	REMARK

APPROVALS			DATE		 ELECTRONICS CO.,LTD	
DRAWN	XU QI FENG	2014/9/13				
CHECKED					TITLE:	TACT SWITCHS
APPROVALS					PART NO.	K2-1827SQ-C3□W-□□
TOLERANCES ARE		30~以上	±0.30	ANGLE	UNIT: mm	SCALE: 1:1
		10~30	±0.20			
		5~10	±0.15			
		~ 5	±0.10			
			±2'		DRAWING NO.	
						SHEET 1 OF 1

—	C	—	△	—	—	—
—	B	—	△	—	—	—
—	A	—	NEW	—	—	—
ECN NO.	REV.	DATE.	DESCRIPTION.	CHANGE.	CHECK.	APPRO.