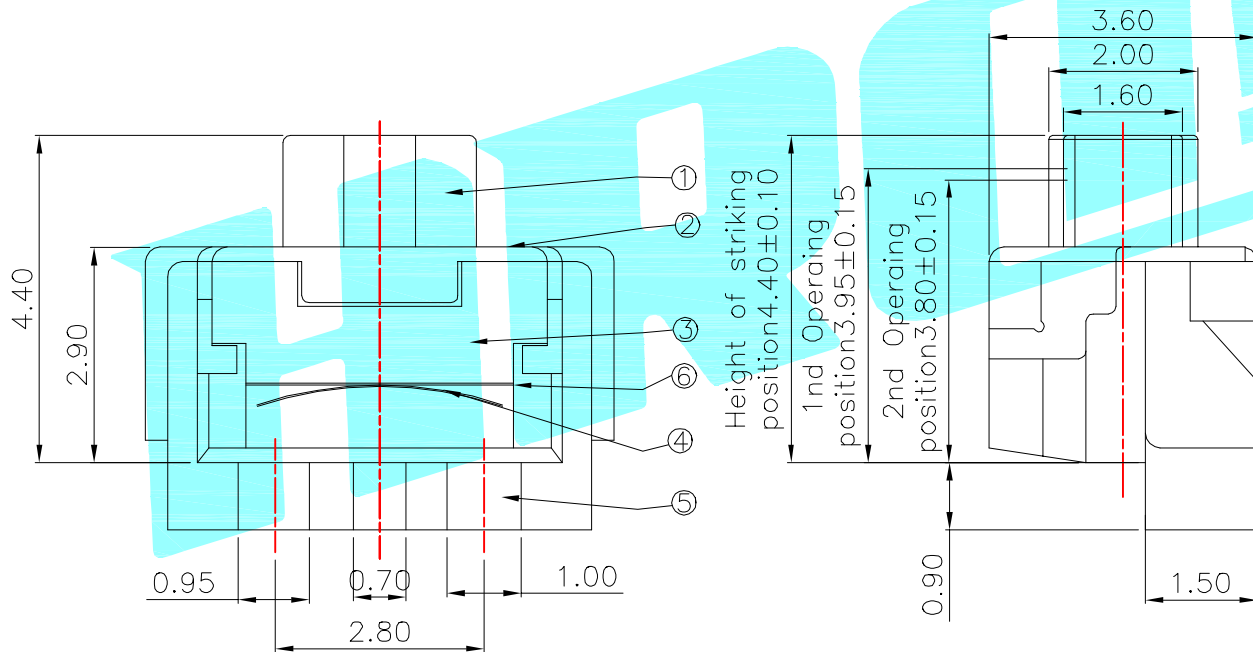


Circuit diagram

PCB Layout(Pattern side)



Typical Specifications :

1. Rating : DC 12V 50mA
2. Operating force: 1st 60±30gf
2st 250±50gf
3. Travel: 1st 0.45mm 2st 0.15mm
4. Life:100,000 Cycles Min.

⑦	Silicone shell	—	1	Silicone	—	—
⑥	Dust cover	—	1	KAPTON FILM	—	—
⑤	Terminal	—	3	Phosphor Bronze	Plating silver	—
④	Contact	—	1	F.Ag/SUS	—	—
③	Base	—	1	LCP	Black	—
②	Cover	—	1	SUS	—	—
①	Keystoke	—	1	Nylon	WHITE	—
ITEM	PART NAME	TER'NO.	QTY.	MATERIAL	FINISHING	REMARK

APPROVALS		DATE		 ELECTRONICS CO.,LTD				
DRAWN	JIANKUN.LU	2015.5.19					TITLE:	TACT SWITCHS
CHECKED							PART NO.	K2-1826FS
APPROVALS				TOLERANCES ARE	ANGLE	UNIT: mm	SCALE: 1:1	PROJ:
		30~以上	±0.30	±2'	DRAWING NO.	SHEET	1 OF 1	
		10~30	±0.20					
		5~10	±0.15					
		~ 5	±0.10					

ECN NO.	REV.	DATE.	DESCRIPTION.	CHANGE.	CHECK.	APPRO.
	A		NEW			