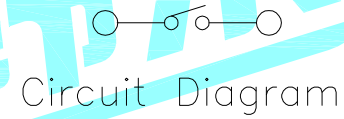
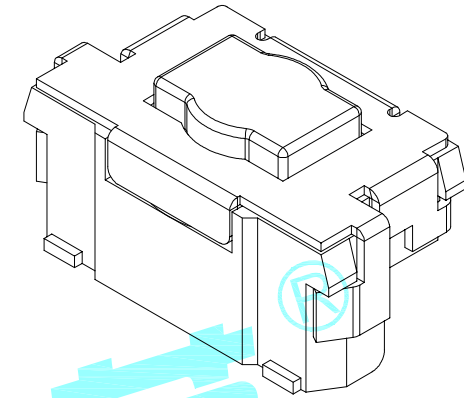
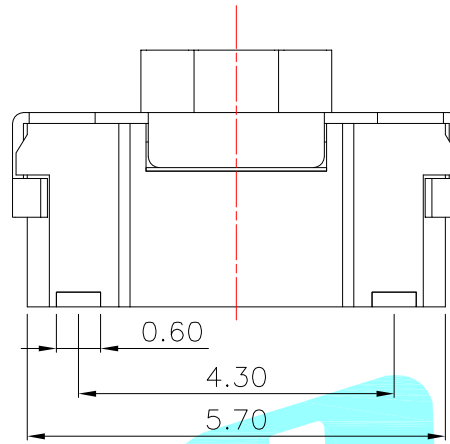


PCB Layout(Pattern side)



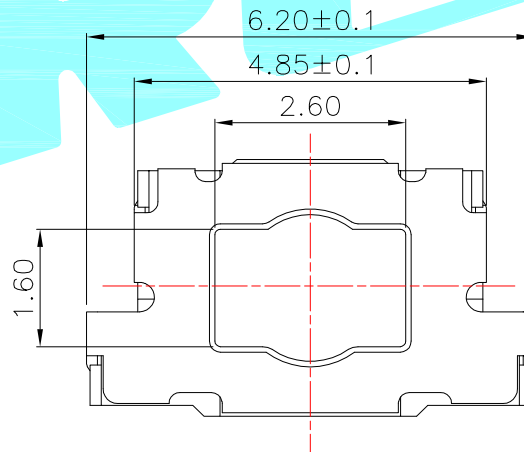
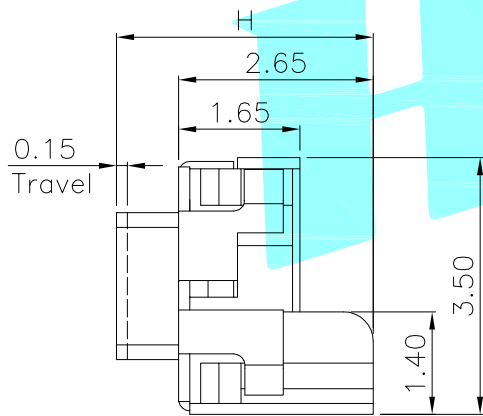
Circuit Diagram

NO.1	
PART NO	H
F	3.0
J	3.5

NO.2	
PART NO	VIGOR
3	180±30
4	250±30

NO.3-NO.4	
PART NO	NOTE
01~99	SERIAL NUMBER

Typical Specifications :
 1. Rating : DC 12V 50mA
 2. Life:100,000 Cycles Min.



⑥	Dust cover	—	1	KAPTON FILM	—	—
⑤	Terminal	—	2	Phosphor Bronze	Plating silver	—
④	Contact	—	1	F.Ag/SUS	—	—
③	Base	—	1	LCP	Black	—
②	Cover	—	1	SUS	—	—
①	Keystoke	—	1	LCP	WHITE/Black	—
ITEM	PART NAME	TER'NO.	QTY.	MATERIAL	FINISHING	REMARK

APPROVALS		DATE	HRO 韓榮® ELECTRONICS CO.,LTD			
DRAWN	JKUN.LU	2013/6/24	TITLE:	TACT SWITCHS		
CHECKED			PART NO.	K2-1826FM-□□SW-□□		
APPROVALS			UNIT: mm	SCALE: 1:1	PROJ:	
TOLERANCES ARE		30~以上 ±0.30	ANGLE	DRAWING NO.		SHEET 1 OF 1
		10~30 ±0.20				
		5~10 ±0.15				
		~ 5 ±0.10	±2'			

ECN NO.	REV.	DATE.	NEW DESCRIPTION.	CHANGE.	CHECK.	APPRO.
	A					