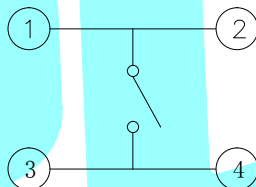
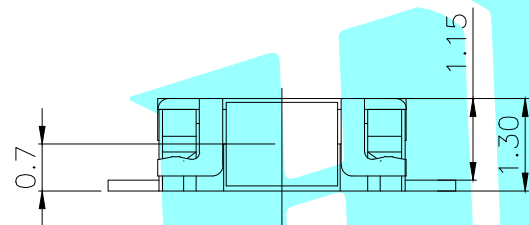
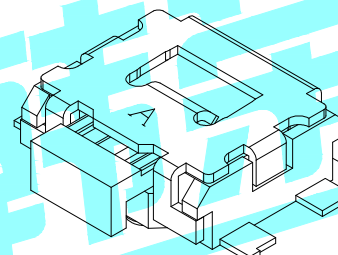
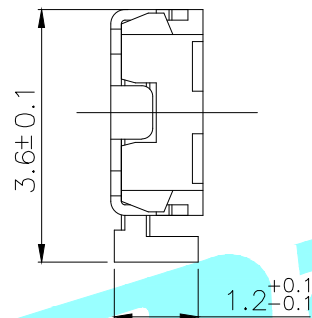
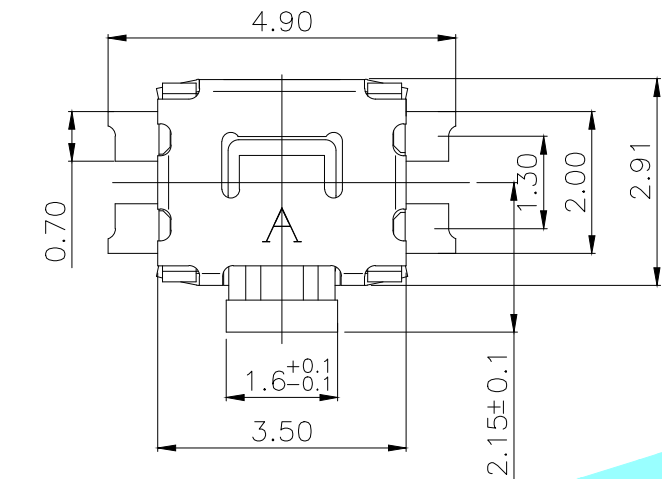
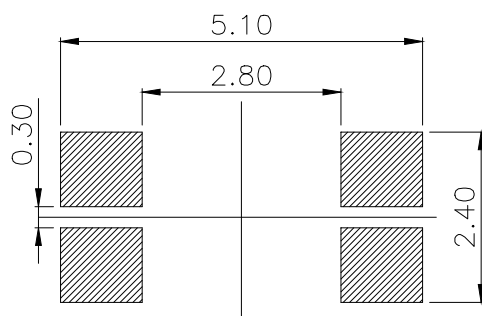
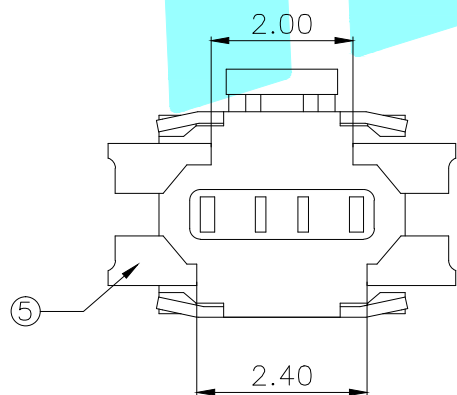


## Typical Specifications

1. Rating : DC 12V 50mA
2. Contact Resistance:  $\leq 100m\Omega$
3. Travel:  $0.2 \pm 0.05mm$
4. Life : 100,000 Cycles



Circuit Diagram

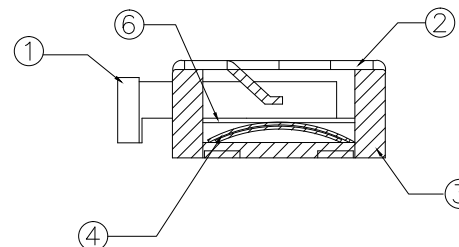


PCB Layout(Pattern side)

NO.1	
PART NO	vigor
3	180±30
4	250±30

NO.2	
PART NO	MATERIAL/QTY
D	SUS/2PC

NO.3-NO.4	
PART NO	NOTE
01~99	SERIAL NUMBER



ITEM	PART NAME	TER'NO.	QTY.	MATERIAL	FINISHING	REMARK
⑥	Dust cover	—	2	Kapton film	Yellow	—
⑤	Terminal	—	4	Phosphor Bronze	Plating silver	—
④	Contact	—	2	SUS	Plating silver	—
③	Base	—	1	LCP	Black	—
②	Cover	—	1	Brass	Plating silver	—
①	Knob	—	1	PA46	Black	—

APPROVALS		DATE		 ELECTRONICS CO.,LTD									
DRAWN	J.X.Zhang	2018/8/1					TITLE:	TACT SWITCHS					
CHECKED				PART NO.	K2-1821SH-A□□W-□□								
APPROVALS				TOLERANCES ARE	<table border="1"> <tr> <td>30~以上</td> <td>±0.30</td> </tr> <tr> <td>10~30</td> <td>±0.20</td> </tr> <tr> <td>5~10</td> <td>±0.15</td> </tr> <tr> <td>~ 5</td> <td>±0.10</td> </tr> </table>	30~以上	±0.30	10~30	±0.20	5~10	±0.15	~ 5	±0.10
30~以上	±0.30												
10~30	±0.20												
5~10	±0.15												
~ 5	±0.10												
		ANGLE	±2'	UNIT: mm	SCALE: 1:1	PROJ:							
		DRAWING NO.		SHEET 1 OF 1									

ECN NO.	REV.	DATE.	DESCRIPTION.	CHANGE.	CHECK.	APPRO.
	A		NEW			