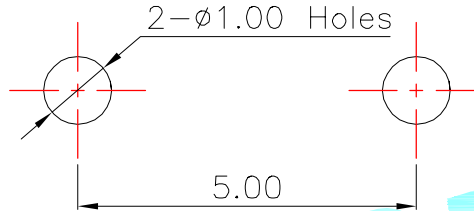
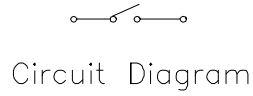
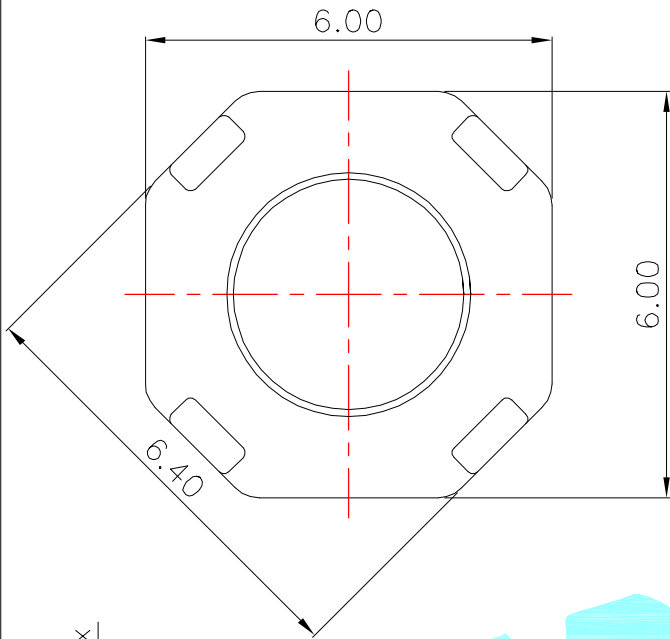
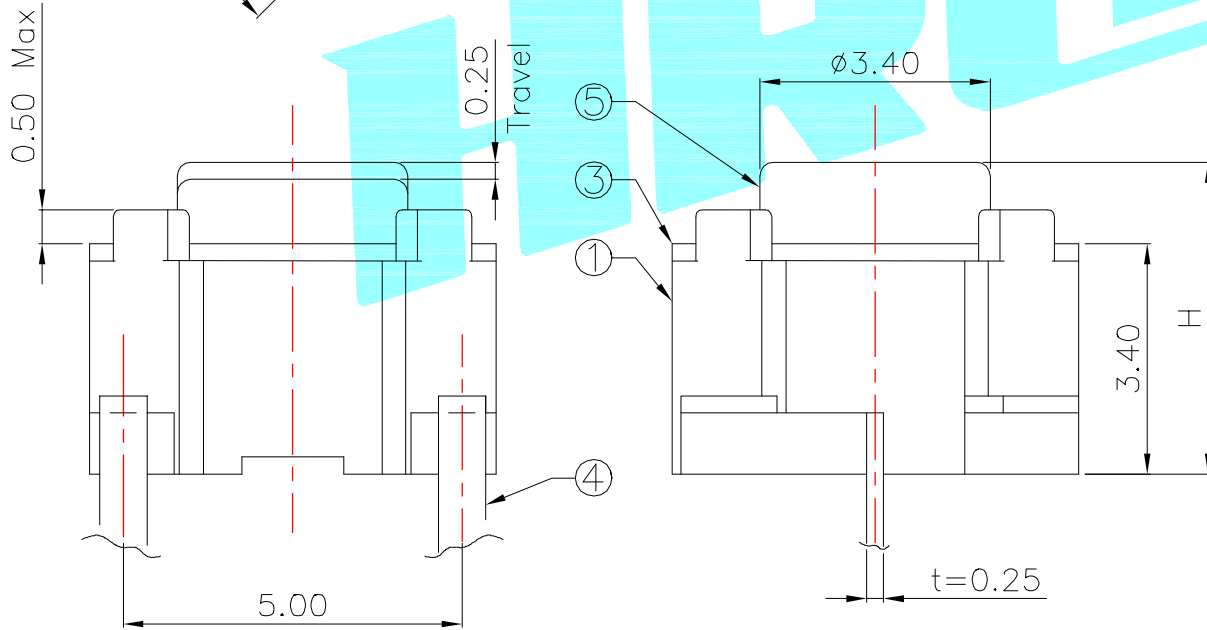
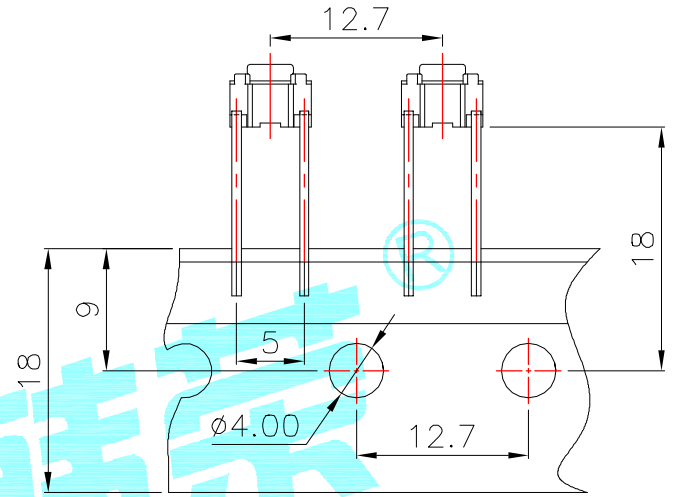


**ROHS**



PCB Layout(Pattern Side)



NO.1

PART NO	H
A	4.3
C	5.0

NO.2

PART NO	vigor
1	90 $\pm$ 30
2	130 $\pm$ 30
3	180 $\pm$ 30
4	250 $\pm$ 30
5	350 $\pm$ 50

NO.3

PART NO	MATERIAL/QTY
S	SUS/1PC
C	C5210/1PC
D	SUS/2PCS
F	C5210/2PCS

NO.4-NO.5

PART NO	NOTE
01~99	SERIAL NUMBER

⑤	Knob	—	1	Nylon	White	—
④	Cover	—	1	Brass	Natural	—
③	Terminal	—	2	Copper	Plating silver	—
②	Contact	—	1	F.Ag/C5210	Plating silver	—
①	Base	—	1	Nylon	Black	—
ITEM	PART NAME	TER'NO.	QTY.	MATERIAL	FINISHING	REMARK

APPROVALS			DATE		HROE® ELECTRONICS CO.,LTD		
DRAWN	J.X.Zhang		2013/8/26		TITLE:	TACT SWITCHS	
CHECKED					PART NO.	K2-1818DP-□□□W-□□	
APPROVALS					TOLERANCES ARE	UNIT: mm SCALE: 1:1 PROJ:	
			30~以上	$\pm$ 0.30	ANGLE	DRAWING NO.	
			10~30	$\pm$ 0.20			
			5~10	$\pm$ 0.15			
			~ 5	$\pm$ 0.10			
ECN NO.	REV.	DATE.	DESCRIPTION.	CHANGE.	CHECK.	APPRO.	SHEET 1 OF 1

ECN NO.	REV.	DATE.	DESCRIPTION.	CHANGE.	CHECK.	APPRO.
—	A	—	NEW	—	—	—