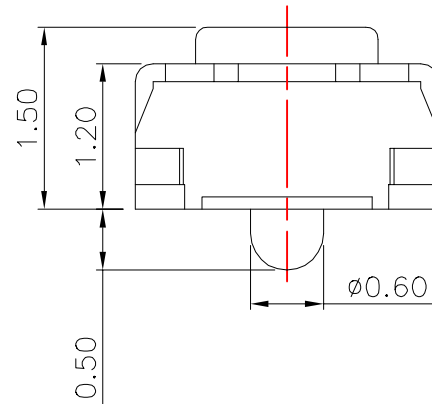
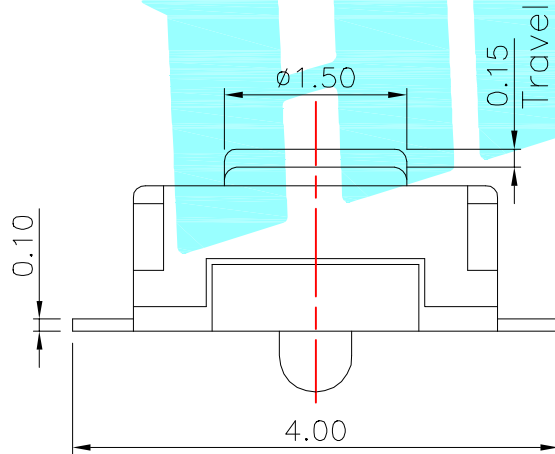


® Circuit Diagram

PCB Layout



NO.1	
PART NO	vigor
1	90±30
2	130±30
3	180±30
4	250±30
5	350±50

PART NO.	
K2-1822SA	
K2-1822SN	

NO.2-NO.3	
PART NO	NOTE
01~99	SERIAL NUMBER

⑥	Dust cover	—	1	KAPTON FILM	—	—
⑤	Terminal	—	2	Phosphor Bronze	Plating silver	—
④	Contact	—	1	F.Ag/SUS	—	—
③	Base	—	1	LCP	White	—
②	Cover	—	1	SUS	—	—
①	Keystoke	—	1	LCP	Black	—
ITEM	PART NAME	TER'NO.	QTY.	MATERIAL	FINISHING	REMARK

APPROVALS			DATE		HROE® ELECTRONICS CO.,LTD	
DRAWN	J.X.Zhang		2013/7/17		TITLE:	TACT SWITCHS
CHECKED					PART NO.	K2-1822S□-A□DW-□□
APPROVALS					UNIT: mm	SCALE: 1:1
TOLERANCES ARE		30~以上	±0.30	ANGLE	DRAWING NO.	PROJ:
		10~30	±0.20			
		5~10	±0.15			
		~ 5	±0.10			
			±2'	SHEET 1 OF 1		

ECN NO.	REV.	DATE.	DESCRIPTION.	CHANGE.	CHECK.	APPRO.
	A		NEW			