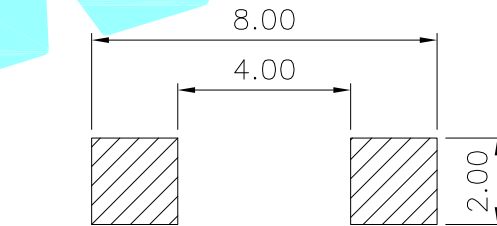
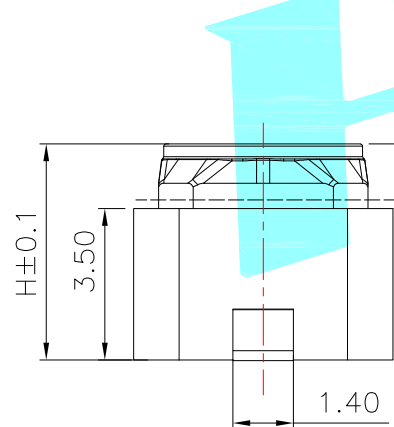
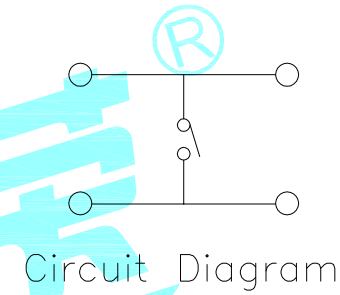
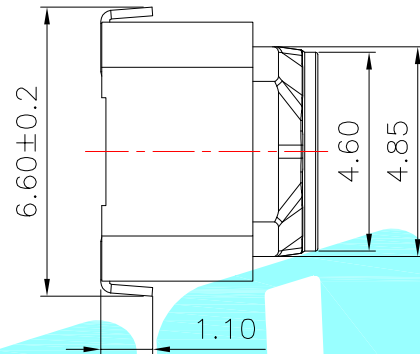
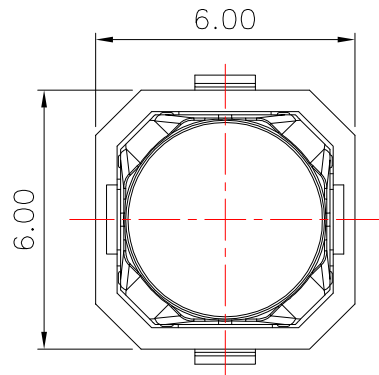


ROHS

Typical Specifications :
 1. Rating : DC 12V 20mA
 2. Life:100,000 Cycles Min.



PCB Layout(Pattern side)

NO.1		
PART NO	H	Travel(L)
A	4.3	0.8±0.25
C	5	1.3±0.30

NO.2	
PART NO	vigor
3	180±30
4	250±30
6	300±50

NO.5-NO.6	
PART NO	NOTE
01~99	SERIAL NUMBER

⑤	Silica gel	—	1	Silica gel	—	—
④	Terminal	—	2	Brass	Plating silver	—
③	Contact	—	1	Copper Alloy	Plating silver	—
②	Base	—	1	LCP	Black	—
①	Keystoke	—	1	PA	Black	—
ITEM	PART NAME	TER'NO.	QTY.	MATERIAL	FINISHING	REMARK

APPROVALS		DATE		 ELECTRONICS CO.,LTD				
DRAWN	LIUCAN	2020.12.16		TITLE:	TACT SWITCHS			
CHECKED				PART NO.	K2-1817UQ-□□SW-□□			
APPROVALS				TOLERANCES ARE	30~以上: ±0.30 10~30: ±0.20 5~10: ±0.15 ~ 5: ±0.10	ANGLE: ±2° UNIT: mm SCALE: 1:1 PROJ:		
ECN NO.	REV.	DATE.	DESCRIPTION.	CHANGE.	CHECK.	APPRO.	DRAWING NO.	SHEET 1 OF 1

ECN NO.	REV.	DATE.	DESCRIPTION.	CHANGE.	CHECK.	APPRO.
	A		NEW			