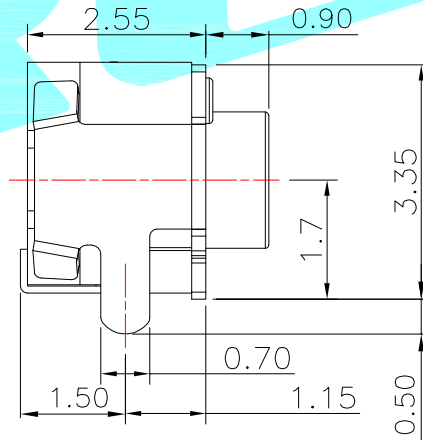
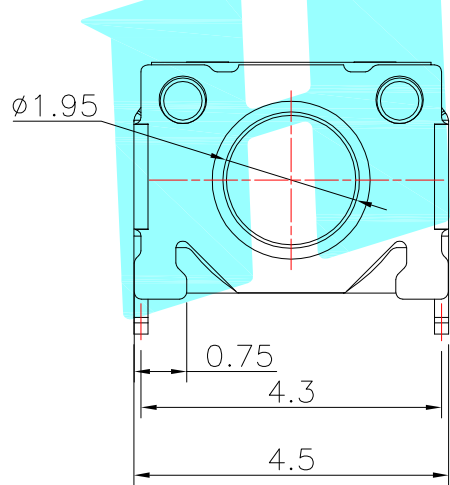
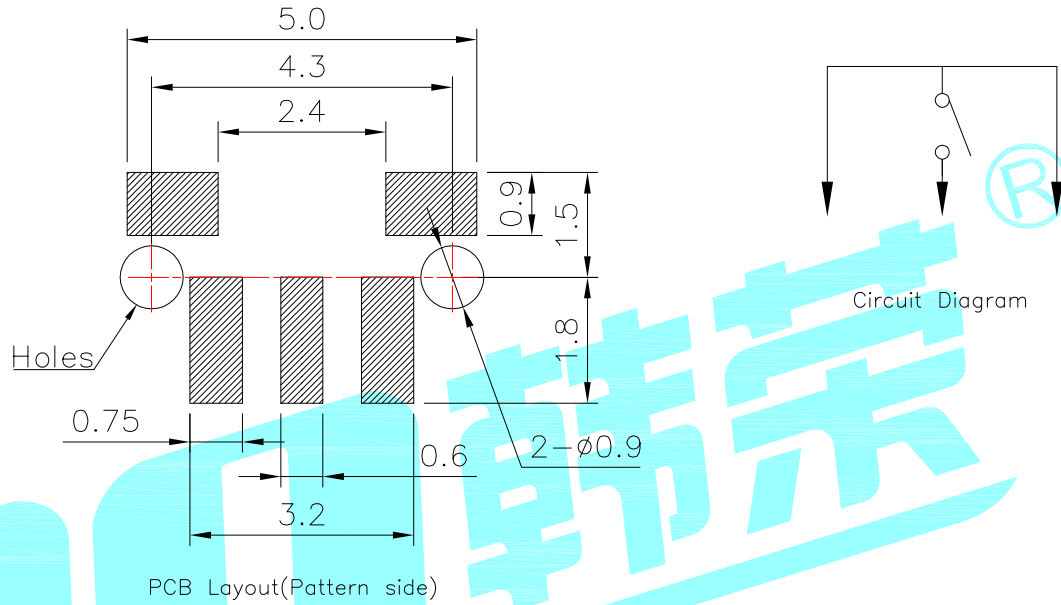
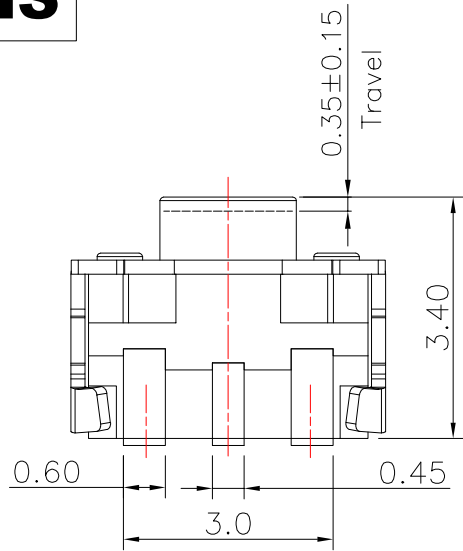


ROHS



NO.1	
PART NO	VIGOR
3	180±35
4	250±35

NO.2	
PART NO	MATERIAL/QTY
S	SUS/1PC
D	SUS/2PCS

NO.3-NO.4	
PART NO	NOTE
01~99	SERIAL NUMBER

⑥	Dustproof film	—	1	PI	Yellow	—
⑤	Terminal	—	3	Phosphor Bronze	Plating silver	—
④	Contact	—	2	SUS	Plating silver	—
③	Base	—	1	LCP	Black	—
②	Cover	—	1	Phosphor Bronze	Plating silver	—
①	Knob	—	1	Silica gel	Blue	—
ITEM	PART NAME	TER'NO.	QTY.	MATERIAL	FINISHING	REMARK

APPROVALS		DATE	HRO 弘毅 ELECTRONICS CO.,LTD			
DRAWN	LIUCAN	2021.8.16	TITLE: TACT SWITCHS			
CHECKED			PART NO. K2-1812GA-D□□W-□□			
APPROVALS			SCALE: 1:1			
TOLERANCES ARE		30~以上 ±0.30	10~30 ±0.20	ANGLE	UNIT: mm	SCALE: 1:1
		5~10 ±0.15	~ 5 ±0.10	±2°	DRAWING NO.	PROJ:
					SHEET	1 OF 1

ECN NO.	REV.	DATE.	DESCRIPTION.	CHANGE.	CHECK.	APPRO.
	A		NEW			