

|    |              |
|----|--------------|
| 编号 | SCTF2021T012 |
| 日期 | 2021-9-30    |
| 版本 | B01          |

# 承认书

## SPECIFICATION FOR APPROVAL

|                       |                        |
|-----------------------|------------------------|
| 客户名称 Customer Name:   | 0                      |
| 供应商物料名称 Part Name:    | 石英晶体谐振器                |
| 产品描述 Description:     | SMD5032 12.288MHz/20PF |
| 供应商物料料号 Part NO.:     | SX5B12.288F2020F30     |
| 供应商名称 Supplier Name : | 深圳市星通时频电子有限公司          |

PLEASE CONFIRM OUR SPECIFICATION. 敬请确认规格书之内容。

| CUSTOMER APPROVAL 客户审批     |     |     |
|----------------------------|-----|-----|
| 物料代号 PART NO. _____        |     |     |
| 使用于机型 USED IN MODEL: _____ |     |     |
| 工程部                        | 品质部 | 采购部 |
|                            |     |     |

(敬请承认后返回一份, 谢谢!)

| SUPPLIER APPROVAL 供应商审批 |         |             |
|-------------------------|---------|-------------|
| DGN.制表人                 | CKD. 校对 | APPD. 审核、签章 |
| 陈雪清                     | 李良      | 胡华才         |



## ■ QUARTZ CRYSTAL UNIT SPECIFICATION

### 1. Crystal Unit Spec:

| N0. | Item                                | Symb.  | Electrical Spec.         | Notes   |
|-----|-------------------------------------|--|--------------------------|---|
| 1   | Nominal Frequency<br>标称频率           | f  | 12.288000 MHz            |   |
| 2   | Oscillation Mode<br>振荡模式            |  | AT Fundamental           |   |
| 3   | Holder Type<br>封装                   |  | SMD5032                  |   |
| 4   | Frequency Tolerance<br>常温频差         | $\Delta f/f$   | $\pm 20\text{PPM}$       | at 25°C $\pm 2^\circ\text{C}$                             |
| 5   | Drive Level<br>激励功率                 | DL   | 10 $\mu\text{W}$ Typical | See the 2.1   |
| 6   | Load Capacitance<br>负载电容            | CL   | 20PF                     | See the 2.2   |
| 7   | Effective Resistance<br>谐振电阻        | RR   | 60 $\Omega$ max.         | See the 2.3   |
| 8   | Shunt Capacitance<br>静电容            | C0   | 5 pF max.                |   |
| 9   | Drive Level Dependency<br>激励功率依赖性   | DLD2   | 15 $\Omega$ max.         | Sweep from 100nW to 100uW in 20 steps.                    |
| 10  | Temperature Drift<br>温度频差           | f_tem  | $\pm 30\text{PPM}$       | Over Operating Temp. Range (Reference 25°C)               |
| 11  | Spurious response<br>寄生响应           | SPDB   | -3dB max.                | Start -1000ppm stop 5000ppm 30 steps power applied: 10dBm |
| 12  | Operating Temperature Range<br>工作温度 | T_use  | -40~85°C                 |   |
| 13  | Storage Temperature Range<br>存储温度   | T_sta  | -55~125°C                |   |
| 14  | Insulation Resistance<br>绝缘阻抗       | IR   | 500 M $\Omega$           | at DC 100V  |
| 15  | Aging<br>年老化率                       | f_age  | $\pm 3$ ppm              | 1st Year  |
| 16  | Measurement Condition<br>测量条件       | Measured by S&A250B or equivalen, TA=25°C $\pm 2^\circ\text{C}$ , RH=40%~70% |                          |   |

### 2. Circuit Coditions Spec:

2.1 Drive Level (DL) 300 $\mu\text{W}$  max.

(If Drive Level is too high, that may cause crystal resonator abnormal oscillation or damaged the main body of quartz)

2.2 Loading Capacitance (CL) : 20PF

(The total circuit load capacitance should be equal to the crystal (CL) values, too large or too small load, will result in frequency drift.)

2.3 Negative Resistance (-R)  $\geq 300\Omega$

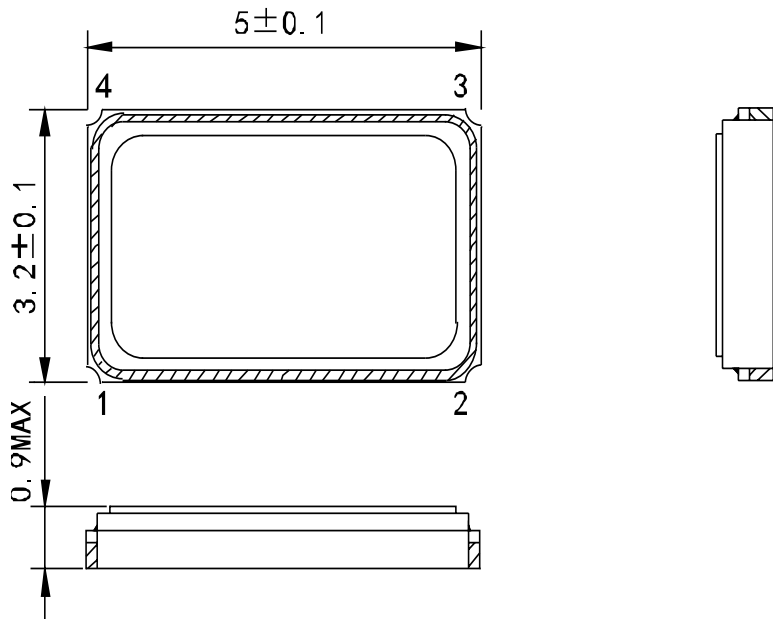
(If -R more than ESR spec of 5 times will be better. If Negative Resistance is too low, that may cause crystal resonator stop oscillation or not easy to oscillate)

| SHENZHEN SCTF ELECTRONICS CO. , LTD |   |       |
|-------------------------------------|---|-------|
| DATE                                | Specification of quartz crystal<br>石英晶体谐振器规格书     | Page: |
| 2021-9-30                           | P/N: SX5B12.288F2020F30<br>Spec.NO.: SCTF2021T012 | 3     |

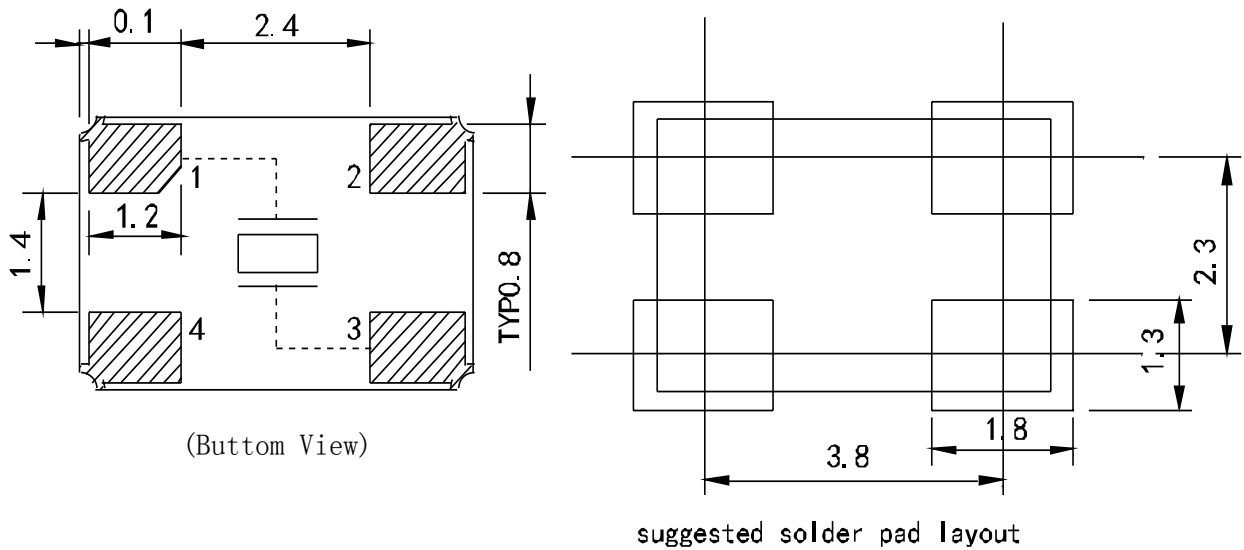
## ■ DIMENSIONS

产品尺寸 (Product size)

Units (单位): mm(毫米)



焊盘尺寸 (Pad size)

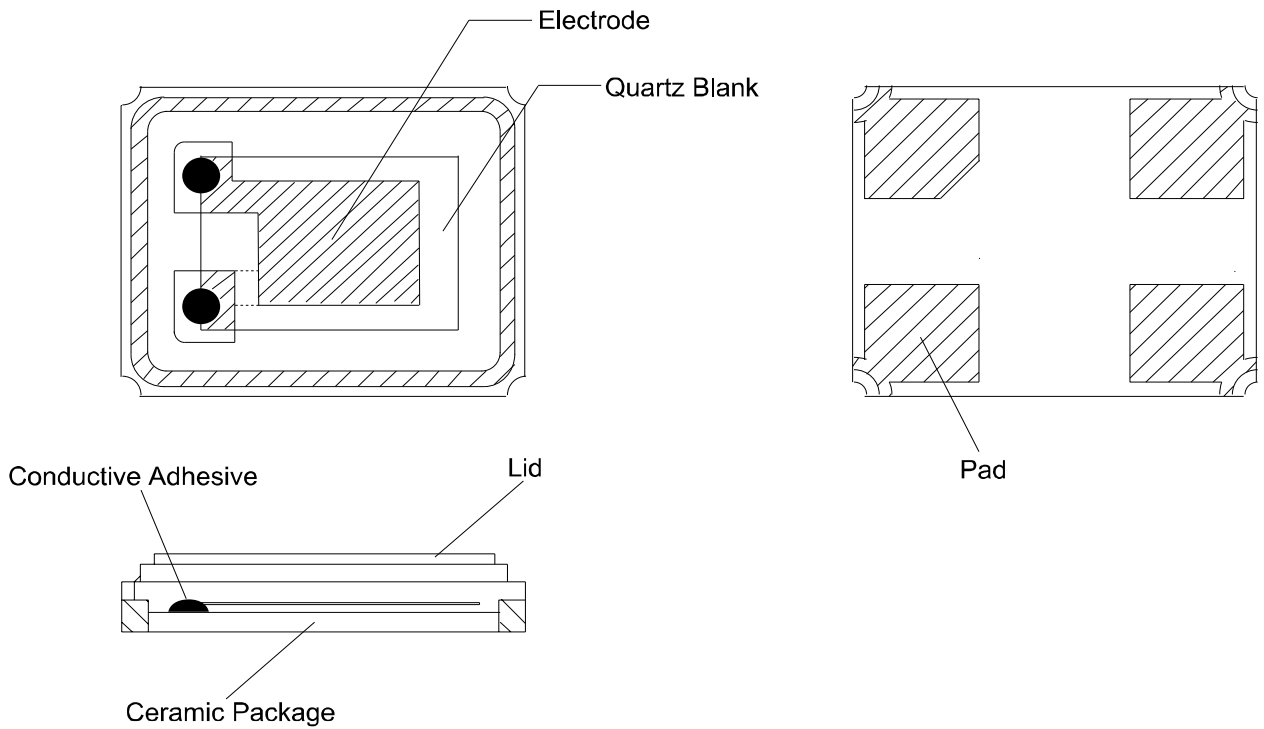


- Note: (1) The missing pad is also correct on the 4th pin, this pin is not used as a starting position.  
 (2) Product pin 2 and pin 4 are connected with a cover, please connect with GND or floating.

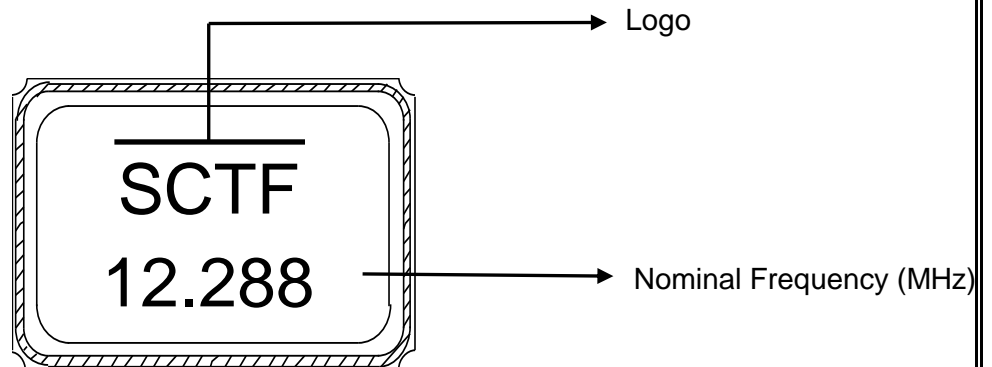
| SHENZHEN SCTF ELECTRONICS CO. , LTD |   |       |
|-------------------------------------|---|-------|
| DATE                                | Specification of quartz crystal<br>石英晶体谐振器规格书     | Page: |
| 2021-9-30                           | P/N: SX5B12.288F2020F30<br>Spec.NO.: SCTF2021T012 | 4     |

## ■ PRODUCT STRUCTURE & MARKING

### ◆ Product Structure 产品规格



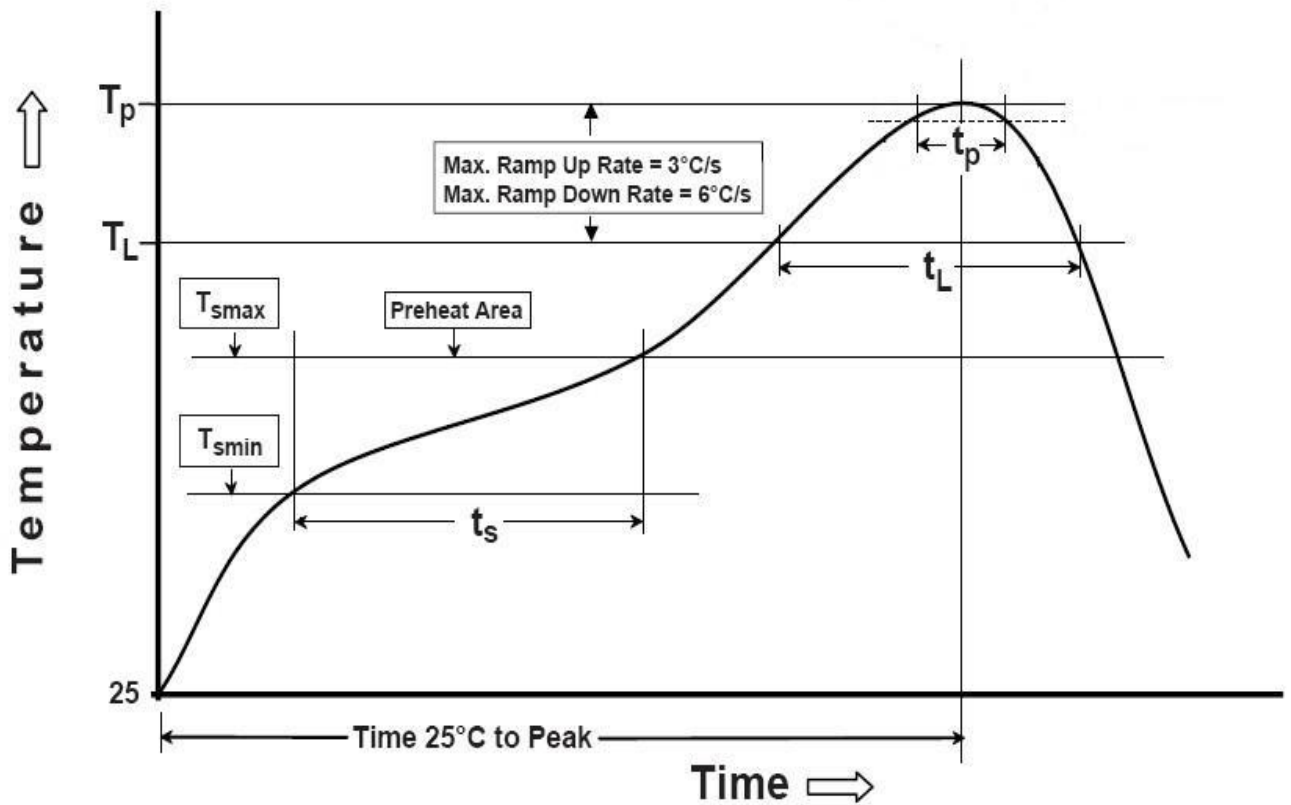
### ◆ Marking 印字



| SHENZHEN SCTF ELECTRONICS CO. , LTD |   |       |
|-------------------------------------|---|-------|
| DATE                                | Specification of quartz crystal<br>石英晶体谐振器规格书     | Page: |
| 2021-9-30                           | P/N: SX5B12.288F2020F30<br>Spec.NO.: SCTF2021T012 | 5     |

## REFLOW PROFILES

| Profile Feature  | Sn-Pb Eutectic Assembly | Pb-Free Assembly |
|--|-------------------------|------------------|
| Preheat/Soak   |                         |                  |
| ● Temperature Min ( $T_s$ min)   | 100 °C                  | 150 °C           |
| ● Temperature Max ( $T_s$ max)   | 150 °C                  | 200 °C           |
| ● Time ( $T_s$ min to $T_s$ max)                                       | 60-120 seconds          | 60-120 seconds   |
| Ramp-up rate ( $T_L$ to $T_p$ )  | 3 °C/second max.        | 3 °C/second max. |
| Time maintained above  |                         |                  |
| ● Liquidous temperature ( $T_L$ )                                      | 183 °C                  | 217 °C           |
| ● Time ( $t_L$ ) maintained above $T_L$                                | 60-150 seconds          | 60-150 seconds   |
| Peak package body temperature ( $T_p$ )                                | 235 °C                  | 260 °C           |
| Time within 5 °C of the specified classification temperature ( $T_p$ ) | 20 seconds              | 30 seconds       |
| Ramp-down rate ( $T_p$ to $T_L$ )                                      | 6 °C/second max.        | 6 °C/second max. |
| Time 25 °C to peak temperature   | 6 minutes max.          | 8 minutes max.   |
| <b>Suggest reflow times</b>  | <b>3 Times max.</b>     |                  |



| SHENZHEN SCTF ELECTRONICS CO. , LTD |   |       |
|-------------------------------------|---|-------|
| DATE                                | Specification of quartz crystal<br>石英晶体谐振器规格书     | Page: |
| 2021-9-30                           | P/N: SX5B12.288F2020F30<br>Spec.NO.: SCTF2021T012 | 6     |

## ■ RELIABILITY SPECIFICATION

| 序号<br>NO. | 项目<br>ITEM                | 条件<br>CONDITIONS  | 合格标准<br>BASIS OF VERDICT  |
|-----------|---------------------------|---|---|
| 1         | 跌落<br>DROP                | 100cm高处自由跌落到3cm厚木板上,3次<br>High:100cm;Thickness:3cm;3 times.   | $\Delta FL \leq \pm 5 \text{ppm}$<br>$\Delta RR \leq RR(\text{max}) * 10\%$ |
| 2         | 振动<br>VIBRATION           | 频率 Frequency:10~57.7Hz;幅度 Amplitude: $\pm 0.75 \text{mm}$<br>频率Frequency:57.7Hz~500Hz;加速度幅度acceleration<br>rate:98m/s <sup>2</sup><br>周期 Cycle time:10-500-10Hz: 15min<br>振动方向 Direction:X,Y, Z<br>振动时间 Duration: 每个方向2小时 2 h/direction.  | $\Delta FL \leq \pm 5 \text{ppm}$<br>$\Delta RR \leq RR(\text{max}) * 10\%$ |
| 3         | 温度变化<br>TEMPERATURE SHOCK | $-40^{\circ}\text{C} \pm 2^{\circ}\text{C}$ (30min) $\leftrightarrow$ $85^{\circ}\text{C} \pm 2^{\circ}\text{C}$ (30min);循环10次<br>$-40^{\circ}\text{C} \pm 2^{\circ}\text{C}$ (30min) $\leftrightarrow$ $85^{\circ}\text{C} \pm 2^{\circ}\text{C}$ (30min);For 10<br>cycles   | $\Delta FL \leq \pm 5 \text{ppm}$<br>$\Delta RR \leq RR(\text{max}) * 10\%$ |
| 4         | 湿热<br>HUMIDITY            | 温度: $40^{\circ}\text{C} \pm 2^{\circ}\text{C}$ ;湿度90-95%;时间:96小时<br>Temp: $40^{\circ}\text{C} \pm 2^{\circ}\text{C}$ ;Humidity:90-95%;Times:96h   | $\Delta FL \leq \pm 5 \text{ppm}$<br>$\Delta RR \leq RR(\text{max}) * 10\%$ |
| 5         | 低温<br>COLD RESISTANCE     | 温度: $-40^{\circ}\text{C} \pm 2^{\circ}\text{C}$ ;时间:96小时<br>Temp: $-40^{\circ}\text{C} \pm 2^{\circ}\text{C}$ ;Times:96h  | $\Delta FL \leq \pm 5 \text{ppm}$<br>$\Delta RR \leq RR(\text{max}) * 10\%$ |
| 6         | 高温1<br>HEAT RESISTANCE 1  | 温度: $100^{\circ}\text{C} \pm 2^{\circ}\text{C}$ ;时间:96小时<br>Temp: $100^{\circ}\text{C} \pm 2^{\circ}\text{C}$ ;Times:96h  | $\Delta FL \leq \pm 5 \text{ppm}$<br>$\Delta RR \leq RR(\text{max}) * 10\%$ |
| 7         | 高温2<br>HEAT RESISTANCE 2  | 温度: $155^{\circ}\text{C} \pm 2^{\circ}\text{C}$ ;时间:2小时<br>Temp: $155^{\circ}\text{C} \pm 2^{\circ}\text{C}$ ;Times:2h  | $\Delta FL \leq \pm 5 \text{ppm}$<br>$\Delta RR \leq RR(\text{max}) * 10\%$ |
| 8         | 高温3<br>HEAT RESISTANCE 3  | 温度: $85^{\circ}\text{C} \pm 2^{\circ}\text{C}$ ;电压:3.3V/5.0V;时间:96小时<br>Temp: $85^{\circ}\text{C} \pm 2^{\circ}\text{C}$ ;Voltage:3.3V/5.0V;Times:96h   | $\Delta FL \leq \pm 5 \text{ppm}$<br>$\Delta RR \leq RR(\text{max}) * 10\%$ |
| 9         | 回流焊<br>REFLOW             | $150^{\circ}\text{C} \pm 5^{\circ}\text{C}$ 保持120s后升到 $270^{\circ}\text{C} \pm 5^{\circ}\text{C}$ 保持10s, 升温 and 保温<br>时间小于200s, 常温放置1~2h后测定<br>Keep $150^{\circ}\text{C} \pm 5^{\circ}\text{C}$ 120s and then rose to $270^{\circ}\text{C} \pm 5^{\circ}\text{C}$<br>for 10s, warming and holding time is less than the 200s,<br>placed at room temperature 1 ~ 2h after test | $\Delta FL \leq \pm 5 \text{ppm}$<br>$\Delta RR \leq RR(\text{max}) * 10\%$ |
| 10        | 盐雾<br>SALT SPRAY          | 盐雾浓度:5%;温度: $35^{\circ}\text{C}$ ;时间:24小时<br>Salt density:5%;Temp: $35^{\circ}\text{C}$ ;Times:24h  | 目测无明显腐蚀现象<br>Visual no significant<br>corrosion.                            |
| 11        | 老化<br>AGING               | 温度: $85^{\circ}\text{C}$ ;时间:30天<br>Temp: $85^{\circ}\text{C}$ ;Times:30days  | $\Delta FL \leq \pm 5 \text{ppm}$<br>$\Delta RR \leq RR(\text{max}) * 10\%$ |
| 12        | 气密性<br>LEAKAGE            | 氦气(0.6~0.65MPa):10分钟<br>He(0.6~0.65MPa):10min   | $\leq 3 * 10^{-9} \text{Pa} \cdot \text{m}^3/\text{s}$                      |
| 13        | 焊接<br>SOLDER              | 温度: $260^{\circ}\text{C} \pm 5^{\circ}\text{C}$<br>Temp: $260^{\circ}\text{C} \pm 5^{\circ}\text{C}$  | 浸锡率大于90%<br>Soldering tin rate<br>greater than 90%                          |

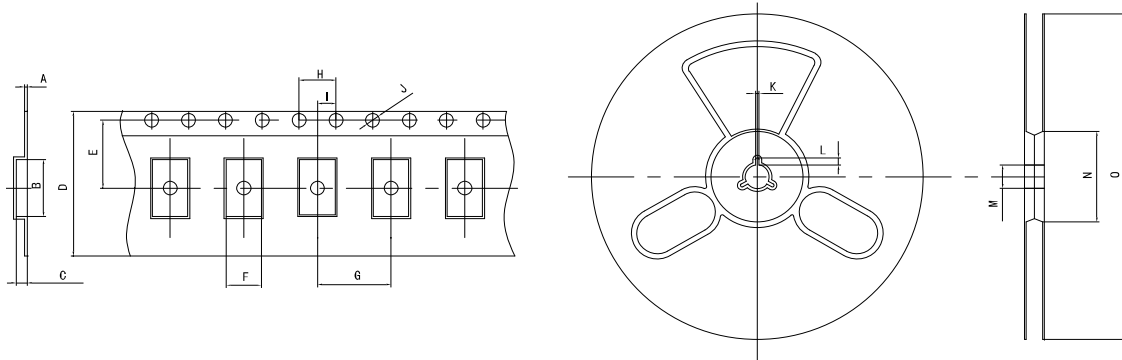
### SHENZHEN SCTF ELECTRONICS CO. , LTD

| DATE      | Specification of quartz crystal<br>石英晶体谐振器规格书     | Page: |
|-----------|---|-------|
| 2021-9-30 | P/N: SX5B12.288F2020F30<br>Spec.NO.: SCTF2021T012 | 7     |

# PACKAGE

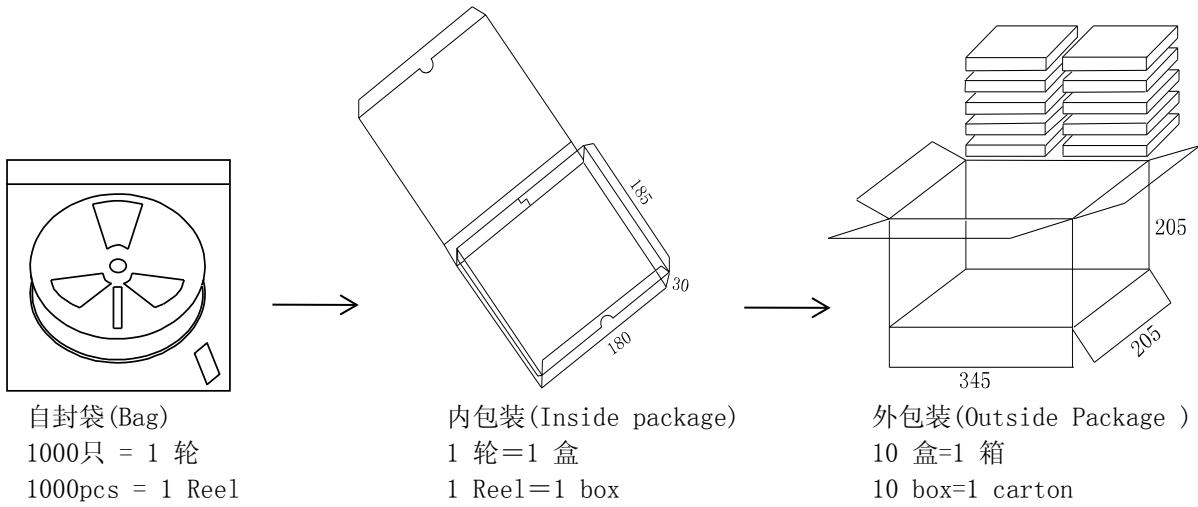
## ◆ Taping Specifications 编带规格

UNIT(单位):mm(毫米)



| TEYE      | A   | B   | C   | D    | E   | F   | G   | H   | I   | J   | K   | L   | M    | N    | O     |
|-----------|-----|-----|-----|------|-----|-----|-----|-----|-----|-----|-----|-----|------|------|-------|
| 5×3.2 SMD | 0.3 | 5.5 | 1.2 | 12.0 | 5.5 | 3.7 | 8.0 | 4.0 | 2.0 | 1.5 | 2.0 | 4.0 | 13.0 | 60.0 | 180.0 |

## ◆ Packaging specifications 包装规格



| SHENZHEN SCTF ELECTRONICS CO., LTD |   |       |
|------------------------------------|---|-------|
| DATE                               | Specification of quartz crystal<br>石英晶体谐振器规格书     | Page: |
| 2021-9-30                          | P/N: SX5B12.288F2020F30<br>Spec.NO.: SCTF2021T012 | 8     |