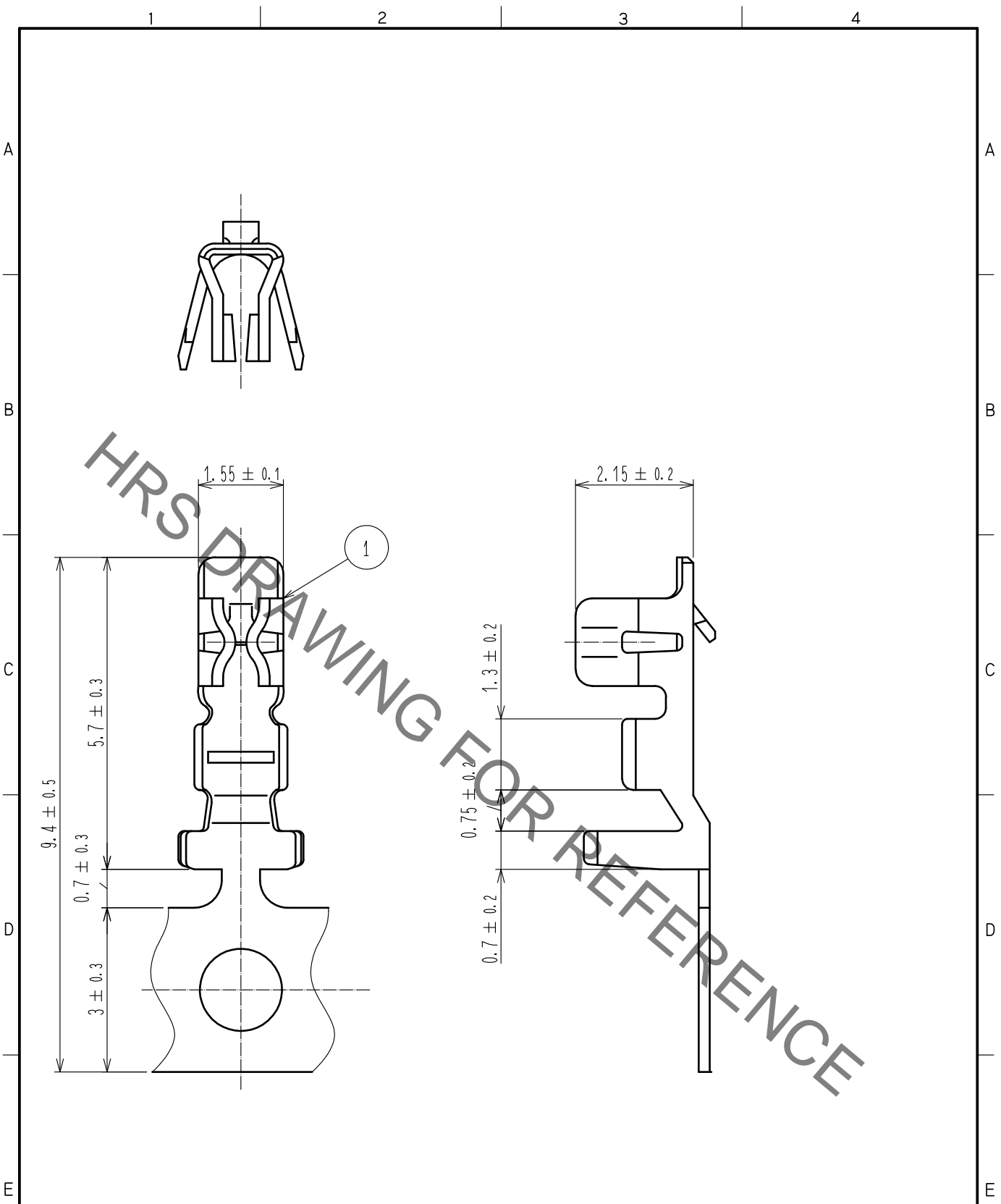


Aug.1.2021 Copyright 2021 HIROSE ELECTRIC CO., LTD. All Rights Reserved.
 In case of consideration for using Automotive equipment / device which demand high reliability, kindly contact our sales window correspondents.



Note 1. Please refer to ETAD-H0958-00 and ETAD-H0988-00 when handle the connector.



1	Phosphor Bronze	Tin Plating : 1 μm min					
NO.	MATERIAL	FINISH . REMARKS	NO.	MATERIAL	FINISH . REMARKS		
UNITS mm		SCALE 10 : 1	COUNT 3	DESCRIPTION OF REVISIONS DIS-H-00006261	DESIGNED SN. MIWA	CHECKED SZ. ONO	DATE 20200818
HRS HIROSE ELECTRIC CO., LTD.	APPROVED : KJ. KATAYOSE	20050105	DRAWING NO.	EDC4-018921-00			
	CHECKED : TY. OMA	20050105	PART NO.	DF3-2428SCF			
	DESIGNED : IO. DENPOUYA	20050105	CODE NO.	CL543-0001-2-00			
	DRAWN : IO. DENPOUYA	20050105		3 / 1			