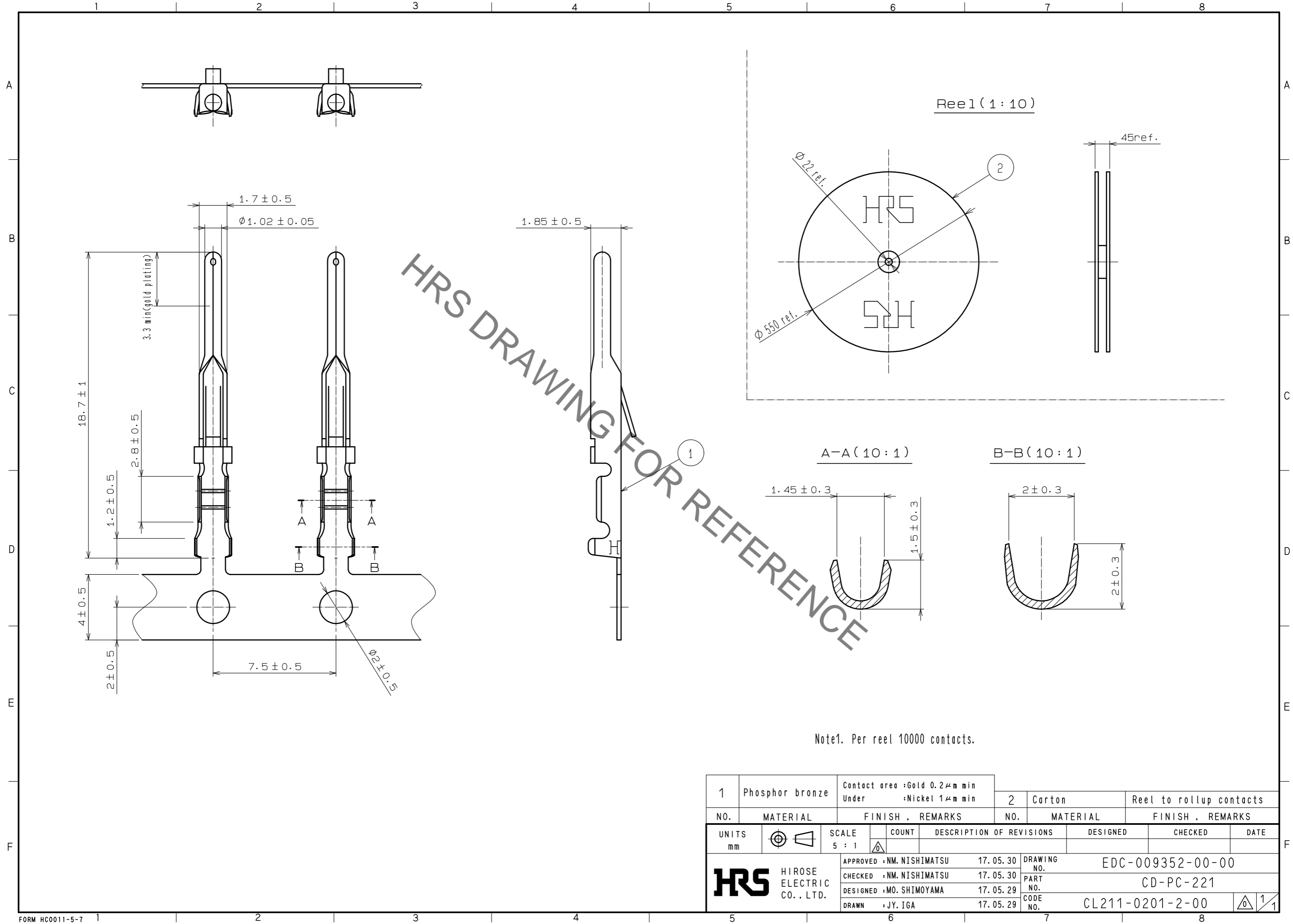


Feb.1.2022 Copyright 2022 HIROSE ELECTRIC CO., LTD. All Rights Reserved.  
 In case of consideration for using Automotive equipment / device which demand high reliability, kindly contact our sales window correspondents.



Note1. Per reel 10000 contacts.

1	Phosphor bronze	Contact area :Gold 0.2µm min Under :Nickel 1µm min	2	Carton	Reel to rollup contacts			
NO.	MATERIAL	FINISH . REMARKS	NO.	MATERIAL	FINISH . REMARKS			
UNITS mm		SCALE 5 : 1		COUNT	DESCRIPTION OF REVISIONS	DESIGNED	CHECKED	DATE
<b>HRS</b> HIROSE ELECTRIC CO., LTD.		APPROVED : NM. NISHIMATSU 17.05.30	DRAWING NO. EDC-009352-00-00					
		CHECKED : NM. NISHIMATSU 17.05.30	PART NO. CD-PC-221					
		DESIGNED : MO. SHIMOYAMA 17.05.29	CODE NO. CL211-0201-2-00					
		DRAWN : JY. IGA 17.05.29						