

规格说明: Specifications:

电气特性: Electrical:

1. 额定电流: Current Rating

3. 1A/contact terminal

2. 额定电压: Voltage Rating

30V DC

3. 接触阻抗: Contact Resistance

30 milliohms MAX

4. 耐电压: Dielectric Withstanding Voltage:

500 V AC AT Sea Level

5. 绝缘阻抗: Insulation Resistance:

1000MEGA ohms MIN

物理性能: Mechanical:

1. 插拔力: Connector Mate and Unmate Force

Mate force: 3.57kgf (MAX)

Unmate force: 1.02kgf (MIN)

2. 端子保持力: Terminal Retention

1.0kgf (MIN)

原材料: Material:

1. 塑胶: Housing:

Hing Temperature Thermoplastics,

2. 端子: Contact: Copper Alloy C2680

3. 外壳: Shell: Copper Alloy C2680/SPCC

电镀: Finish:

1. 端子: Contact: Plated Gold in Mating Area;

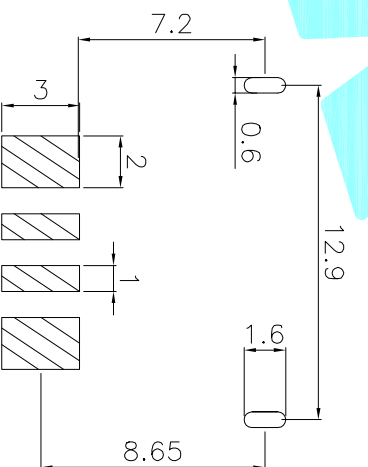
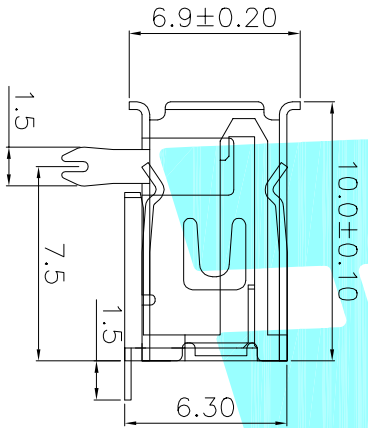
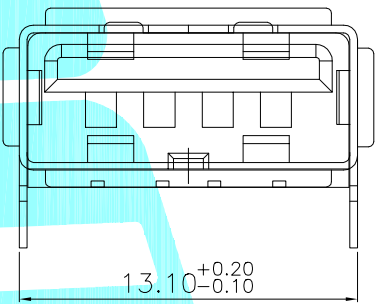
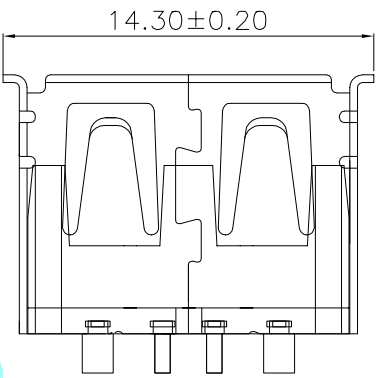
Tin On Solder Tails

端子四周镀50U" (MIN) 锡, 镀金区域镀100-200U"镀金1U"

2. 外壳: Shell:

铜壳四周镀80U" (MIN) 锡

Nickel Plating



APPROVALS		DATE	HPPROELECTRONICS CO.,LTD			
DRAWN	D.JLV	2017/12/26	ELECTRONICS CO.,LTD			
CHECKED			TITLE: USB CONNECTOR			
APPROVALS			PART NO.	U-A-24DS-Y-1	SCALE:	1:1
TOLERANCES ARE	30~以上 10~30 5~10	±0.30 ±0.20 ±0.15	UNIT:	mm	PROJ:	Y-1
	~5	±0.10	DRAWING NO.		SHEET	1 OF 1
ECN NO.	REV.	DATE.	DESCRIPTION.	NGF	CHICK	APPRO.
	A		NEW			