

High Speed LDO Regulators, Low ESR Cap. low noise, ME6211 Series

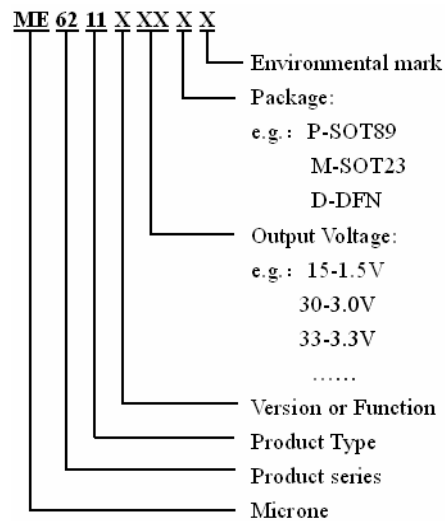
Description:

The **ME6211 series** are highly accurate, low noise, CMOS LDO Voltage Regulators. Offering low output noise, high ripple rejection ratio, low dropout and very fast turn-on times, the ME6211 series is ideal for today's cutting edge mobile phone. Internally the ME6211 includes a reference voltage source, error amplifiers, driver transistors, current limiters and phase compensators. The ME6211's current limiters' foldback circuit also operates as a short protect for the output current limiter and the output pin. The ME6211 series is also fully compatible with low ESR ceramic capacitors, reducing cost and improving output stability. This high level of output stability is maintained even during frequent load fluctuations, due to the excellent transient response performance and high PSRR achieved across a broad range of frequencies. The CE function allows the output of regulator to be turned off, resulting in greatly reduced power consumption.

Features:

- Maximum Output Current: 500mA ($V_{in}=5V, V_{out}=3.3V$)
- Dropout Voltage: 100mV@ $I_{out}=100mA$
- Operating Voltage Range: 2V~6.5V
- Highly Accuracy: $\pm 2\%$
- Low Power Consumption: 50uA (TYP.)
- Standby Current: 0.1uA (TPY.)
- High Ripple Rejection: 75dB@1KHz (ME6211C33)
- Low output noise: 50uVrms
- Line Regulation: 0.05% (TYP.)
- Ultra Small Packages: SOT89, SOT23, DFN6L

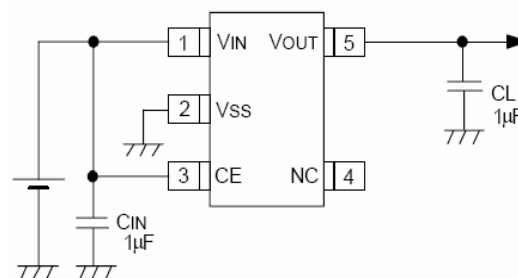
Selection Guide:



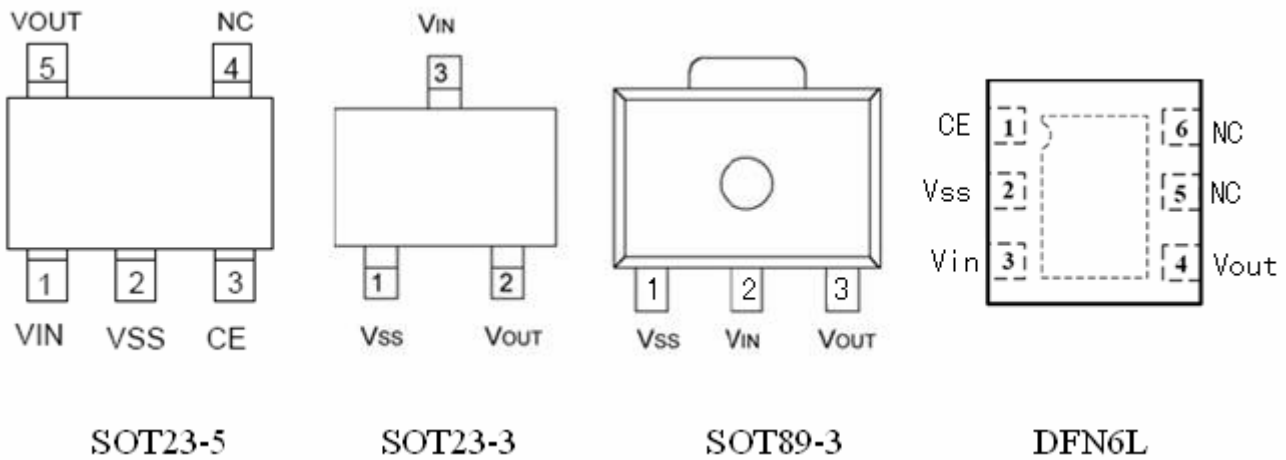
Typical Application:

- Mobile phones
- Cordless phones, radio communication equipment
- Portable games
- Cameras, Video cameras
- Reference voltage sources
- Battery powered equipment

Typical Application Circuit:



Pin Configuration:



Pin Assignment:

ME6211AXX

Pin Number		Pin Name	Functions
SOT23-3	SOT89-3		
1	1	Vss	Ground
2	3	Vout	Output
3	2	Vin	Power Input

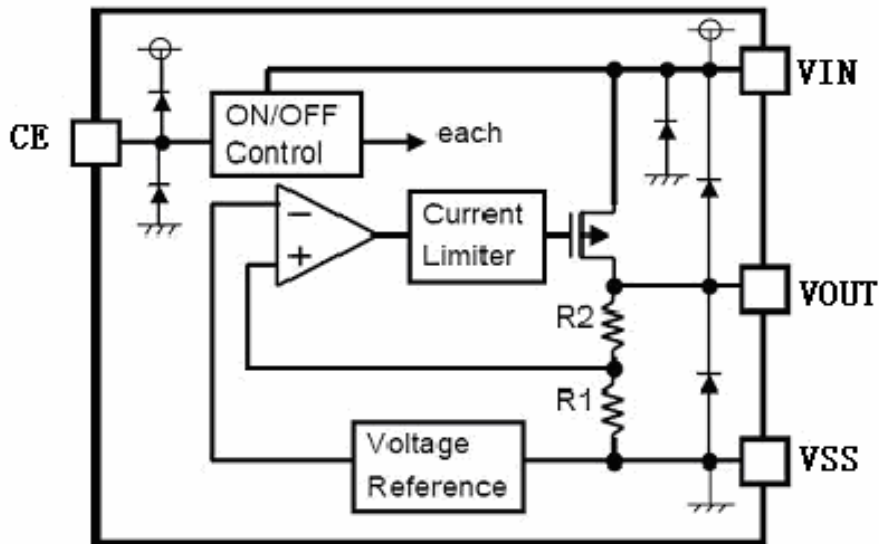
ME6211CXX

Pin Number		Pin Name	Functions
SOT23-5	DFN6L		
1	3	Vin	Power Input
2	2	Vss	Ground
3	1	CE	ON / OFF Control
4	5,6	NC	NC
5	4	Vout	Output

Absolute Maximum Ratings:

Parameter	Symbol	Ratings	Units
Input Voltage	Vin	6.5	V
Output Current	Iout	600	mA
Output Voltage	Vout	Vss-0.3~Vin+0.3	V
CE Pin Voltage	Vce	Vss-0.3~Vin+0.3	V
Power Dissipation	SOT23	Pd	mW
	DFN		
	SOT89		
Operating Temperature Range	Topr	-40~+85	°C
Storage Temperature Range	Tstg	-55~+125	°C

Block Diagram:



Electrical Characteristics:

ME6211C15 ($V_{IN}=V_{OUT}+1V$, $C_{IN}=C_{OUT}=1\mu F$, $T_a=25^{\circ}C$ unless otherwise noted)

Parameter	Symbol	Conditions	Min.	Typ.	Max.	Units
Output Voltage	$V_{OUT(E)}$ (Note 2)	$I_{OUT}=30mA$, $V_{IN}=V_{OUT}+1V$	X 0.98	$V_{OUT(T)}$ (Note 1)	X 1.02	V
Maximum Output Current	I_{OUTmax}	$V_{IN}=V_{OUT}+1V$		300		mA
Load Regulation	ΔV_{OUT}	$V_{IN}=V_{OUT}+1V$, $1mA \leq I_{OUT} \leq 100mA$		9		mV
Dropout Voltage (Note 1)	V_{dif1}	$I_{OUT}=100mA$		200		mV
	V_{dif2}	$I_{OUT}=200mA$		400		mV
Supply Current	I_{SS}	$V_{IN}=V_{OUT}+1V$		45		μA
Stand-by Current	I_{CEL}	$V_{ce}=0V$		0.1		μA
Line Regulation	$\frac{\Delta V_{OUT}}{\Delta V_{IN} \cdot V_{OUT}}$	$I_{OUT}=40mA$ $V_{OUT}+1V \leq V_{IN} \leq 6.5V$		0.05		%/V
Output noise	EN	$I_{OUT}=40mA$, 300Hz~50kHz		50		μV_{rms}
Ripple Rejection Rate	PSRR	$V_{in}=[V_{out}+1]V$ +1Vp-pAC $I_{OUT}=50mA, f=1kHz$		70		dB

ME6211C28

(Vin=Vout+1V, Cin=Cout=1uF, Ta=25°C unless otherwise noted)

Parameter	Symbol	Conditions	Min.	Typ.	Max.	Units
Output Voltage	V _{OUT(E)} (Note 2)	I _{OUT} =30mA, V _{IN} =Vout+1V	X 0.98	V _{OUT (T)} (Note 1)	X 1.02	V
Maximum Output Current	I _{OUTmax}	V _{IN} =Vout+1V		450		mA
Load Regulation	ΔV _{OUT}	V _{IN} =Vout+1V, 1mA≤I _{OUT} ≤100mA		7		mV
Dropout Voltage (Note 1)	V _{dif1}	I _{OUT} =100mA		110		mV
	V _{dif2}	I _{OUT} =200mA		220		mV
Supply Current	I _{SS}	V _{IN} =Vout+1V		55		μA
Stand-by Current	I _{CEL}	V _{ce} =0V		0		μA
Line Regulation	$\frac{\Delta V_{OUT}}{\Delta V_{IN} \cdot V_{OUT}}$	I _{OUT} =40mA Vout+1V ≤V _{IN} ≤6.5V		0.04		%/V
Output noise	EN	I _{OUT} =40mA, 300Hz~50kHz		50		uVrms
Ripple Rejection Rate	PSRR	Vin= [Vout+1]V +1Vp-pAC I _{OUT} =50mA,f=1kHz		70		dB

ME6211C30

(Vin=Vout+1V, Cin=Cout=1uF, Ta=25°C unless otherwise noted)

Parameter	Symbol	Conditions	Min.	Typ.	Max.	Units
Output Voltage	V _{OUT(E)} (Note 2)	I _{OUT} =30mA, V _{IN} =Vout+1V	X 0.98	V _{OUT (T)} (Note 1)	X 1.02	V
Maximum Output Current	I _{OUTmax}	V _{IN} =Vout+1V		500		mA
Load Regulation	ΔV _{OUT}	V _{IN} =Vout+1V, 1mA≤I _{OUT} ≤100mA		8		mV
Dropout Voltage (Note 1)	V _{dif1}	I _{OUT} =100mA		100		mV
	V _{dif2}	I _{OUT} =200mA		210		mV
Supply Current	I _{SS}	V _{IN} =Vout+1V		60		μA
Stand-by Current	I _{CEL}	V _{ce} =0V		0		μA
Line Regulation	$\frac{\Delta V_{OUT}}{\Delta V_{IN} \cdot V_{OUT}}$	I _{OUT} =40mA Vout+1V ≤V _{IN} ≤6.5V		0.05		%/V
Output noise	EN	I _{OUT} =40mA, 300Hz~50kHz		50		uVrms
Ripple Rejection Rate	PSRR	Vin= [Vout+1]V +1Vp-pAC I _{OUT} =50mA,f=1kHz		75		dB

ME6211A/C33

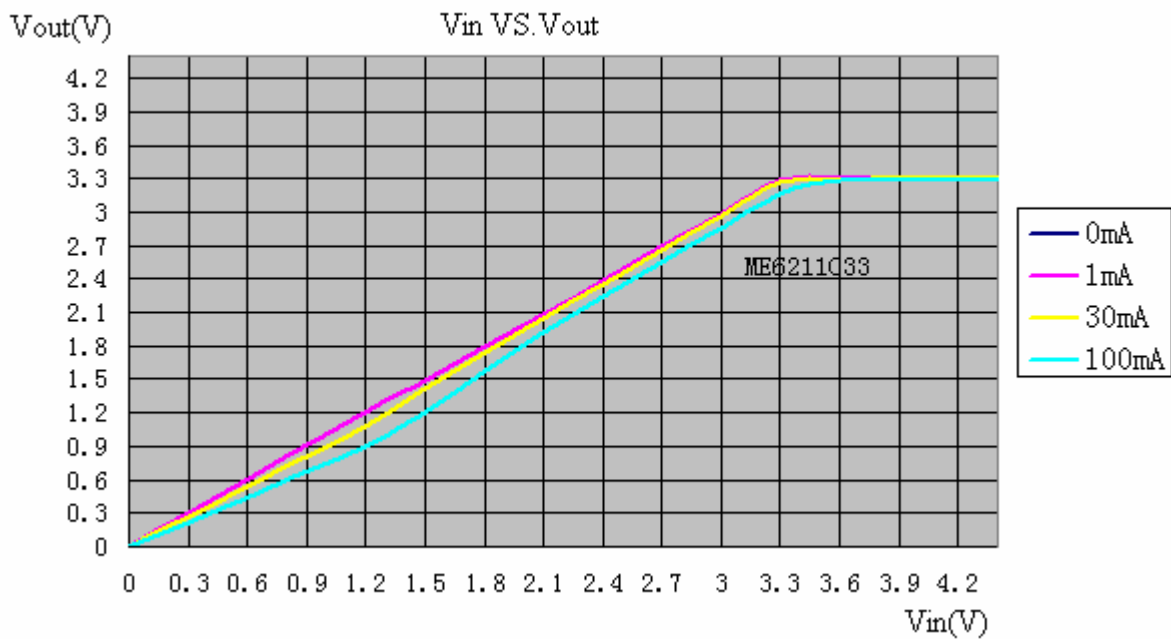
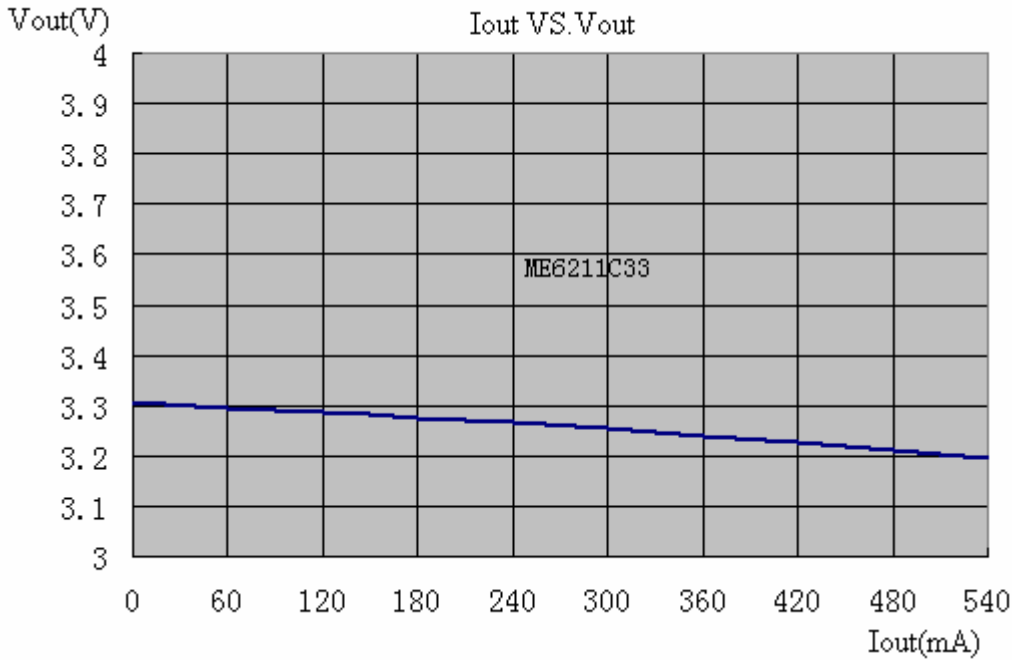
($V_{in}=V_{out}+1V$, $C_{in}=C_{out}=1\mu F$, $T_a=25^{\circ}C$ unless otherwise noted)

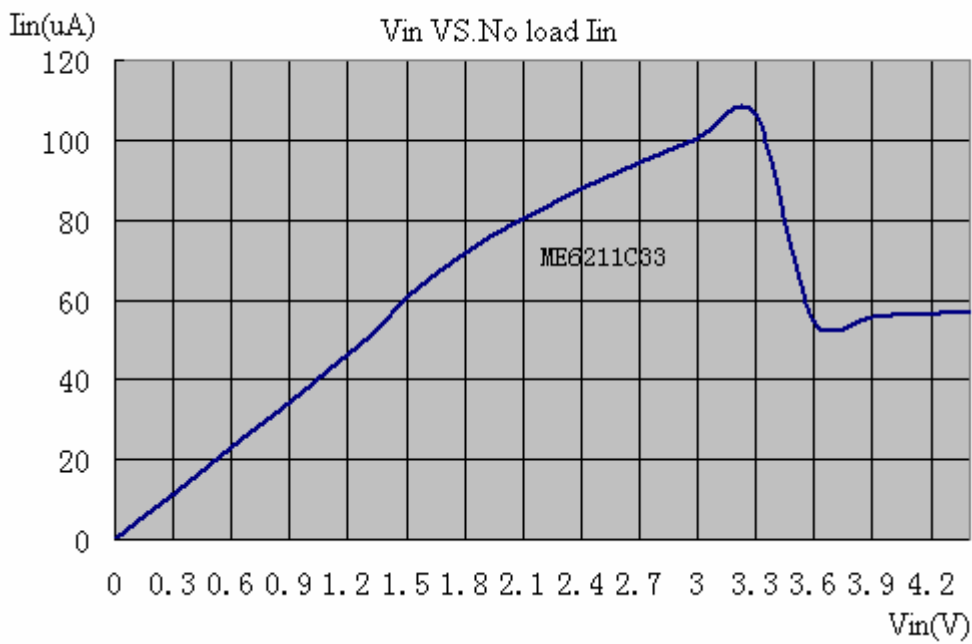
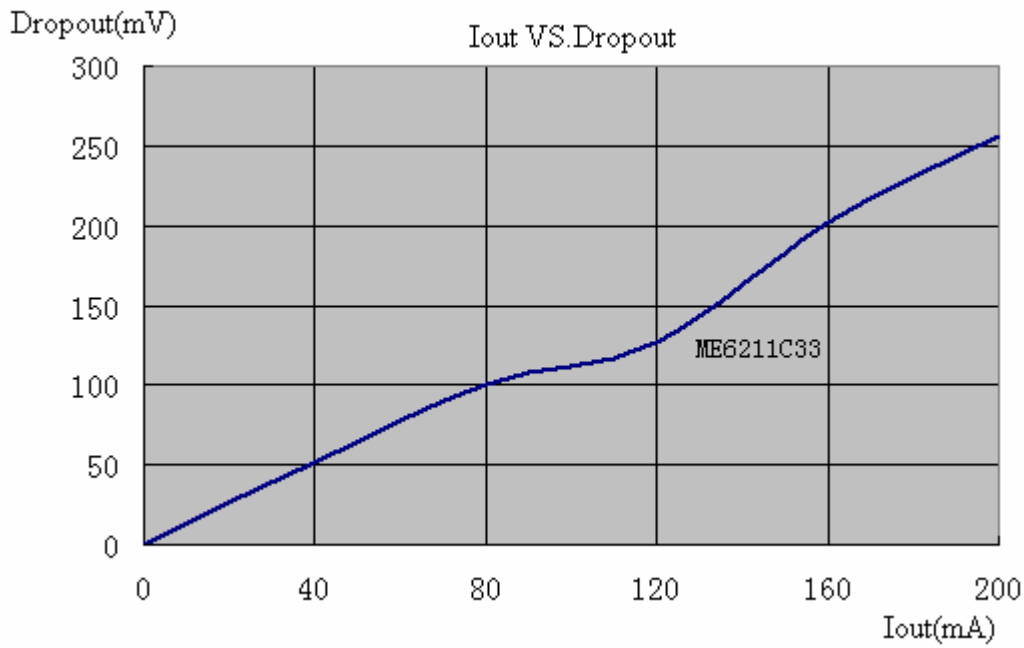
Parameter	Symbol	Conditions	Min.	Typ.	Max.	Units
Output Voltage	$V_{OUT(E)}$ (Note 2)	$I_{OUT}=30mA$, $V_{IN}=V_{out}+1V$	X 0.98	$V_{OUT(T)}$ (Note 1)	X 1.02	V
Maximum Output Current	I_{OUTmax}	$V_{IN}=V_{out}+1V$		500		mA
Load Regulation	ΔV_{OUT}	$V_{IN}=V_{out}+1V$, $1mA \leq I_{OUT} \leq 100mA$		9		mV
Dropout Voltage (Note 1)	V_{dif1}	$I_{OUT} = 100mA$		120		mV
	V_{dif2}	$I_{OUT} = 200mA$		260		mV
Supply Current	I_{SS}	$V_{IN}=V_{out}+1V$		55		μA
Stand-by Current	I_{CEL}	$V_{ce} = 0V$		0.1		μA
Line Regulation	$\frac{\Delta V_{OUT}}{\Delta V_{IN} \cdot V_{OUT}}$	$I_{OUT} = 40mA$ $V_{out}+1V \leq V_{IN} \leq 6.5V$		0.05		%/V
Output noise	EN	$I_{OUT} = 40mA$, 300Hz~50kHz		50		μV_{rms}
Ripple Rejection Rate	PSRR	$V_{in} = [V_{out}+1]V$ +1Vp-pAC $I_{OUT} = 50mA, f = 1kHz$		75		dB

Note :

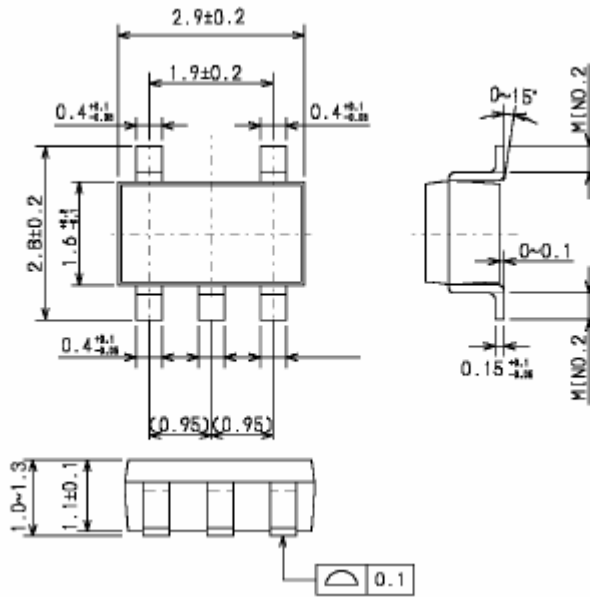
- $V_{OUT(T)}$: Specified Output Voltage
- $V_{OUT(E)}$: Effective Output Voltage (i.e. The output voltage when “ $V_{OUT(T)}+1.0V$ ” is provided at the V_{in} pin while maintaining a certain I_{out} value.)
- V_{dif} : $V_{IN1} - V_{OUT(E)}$
 V_{IN1} : The input voltage when $V_{OUT(E)}$ appears as input voltage is gradually decreased.
 $V_{OUT(E)}$ = A voltage equal to 98% of the output voltage whenever an amply stabilized I_{out} { $V_{OUT(T)}+1.0V$ } is input.

Type Characteristics

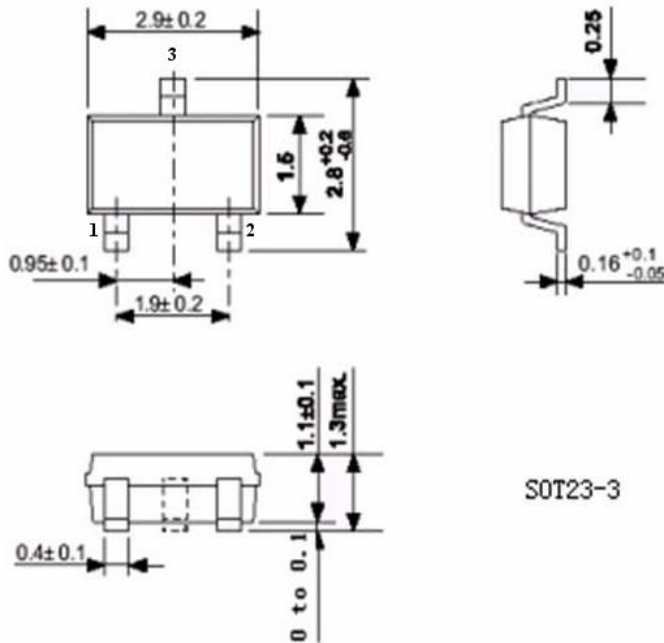




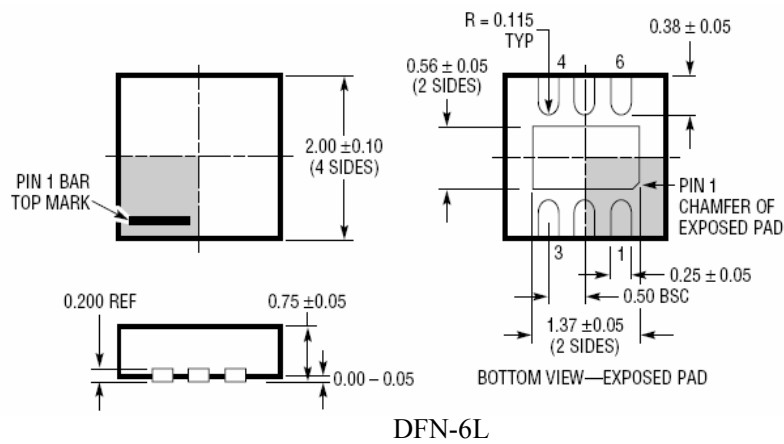
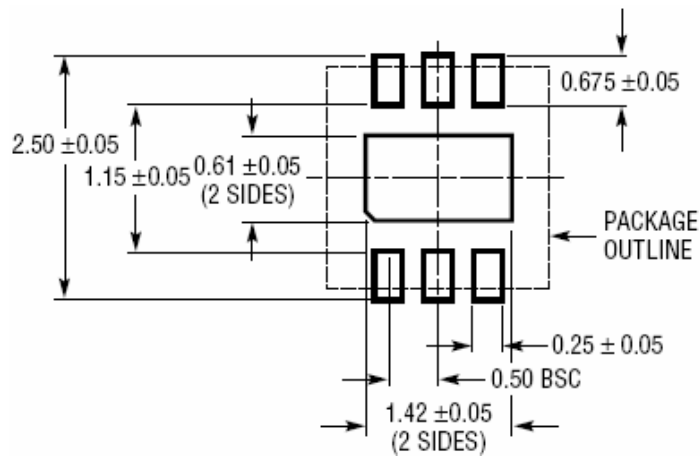
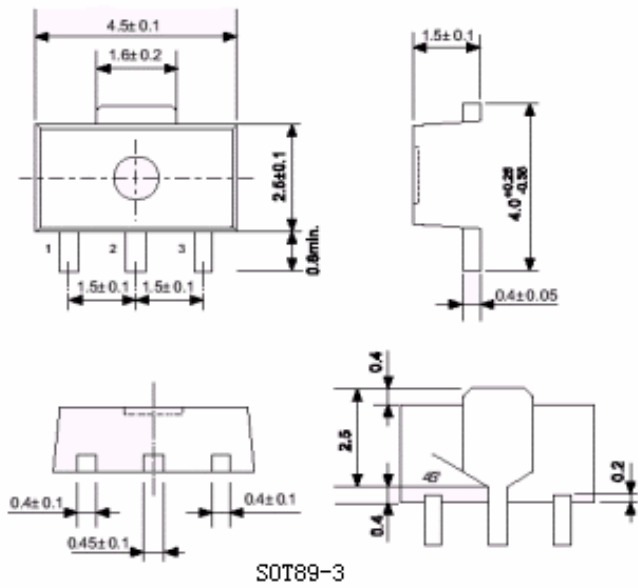
Packaging Information:



SOT23-5



SOT23-3



- The information described herein is subject to change without notice.
- Nanjing Micro One Electronics Inc is not responsible for any problems caused by circuits or diagrams described herein whose related industrial properties, patents, or other rights belong to third parties. The application circuit examples explain typical applications of the products, and do not guarantee the success of any specific mass-production design.
- Use of the information described herein for other purposes and/or reproduction or copying without the express permission of Nanjing Micro One Electronics Inc is strictly prohibited.
- The products described herein cannot be used as part of any device or equipment affecting the human body, such as exercise equipment, medical equipment, security systems, gas equipment, or any apparatus installed in airplanes and other vehicles, without prior written permission of Nanjing Micro One Electronics Inc.
- Although Nanjing Micro One Electronics Inc exerts the greatest possible effort to ensure high quality and reliability, the failure or malfunction of semiconductor products may occur. The user of these products should therefore give thorough consideration to safety design, including redundancy, fire-prevention measures, and malfunction prevention, to prevent any accidents, fires, or community damage that may ensue.