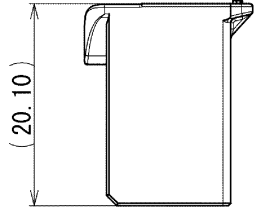
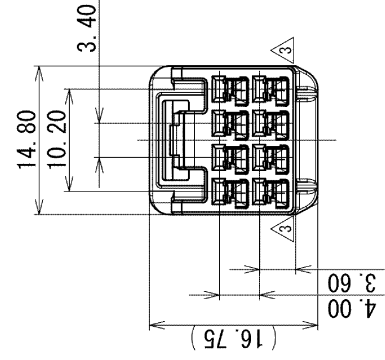
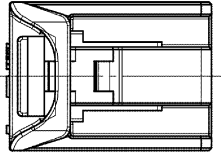


GENERAL TOLERANCE											
	10 MAX	50 MAX	100 MAX	250 MAX	250 OVR	R5 MAX	R10 MAX	R20 MAX	R20 OVR	ANGLE	ECCENT
A	±0.15	±0.2	±0.3	±0.5	±0.75	±0.2	±0.3	±0.5	±2.5	±3°	0.1
B	±0.2	±0.3	±0.55	±0.95	±1.4	±0.2	±0.3	±0.5	±2.5	±3°	0.1
◎	±0.3	±0.5	±0.8	±1.4	±2	±0.2	±0.3	±0.5	±2.5	±3°	0.15

△	PART NO. AND CH. CODE	MATERIAL	COLOR
△1	7187-8847[A]	PBT	NATURAL
△2	7187-8847-60[A]	PBT	GREEN
△3	7187-8847-90[A]	PBT	BLUE
△4	7187-8847-30[A]	PBT	BLACK



注記

- △1. かん合相手品番 : 7186-8847 ETC.
- △2. 適用端子品番 : 7116-7389-02 ETC.

NOTES

- △3. 1. MATING PART NO. : 7186-8847 ETC.
- 2. APPLICABLE TERMINAL PART NO. : 7116-7389-02 ETC.

△	DATE	ADDED	COLOR	PART NO.	C15-Z136	A. Q
△4	2015/04/07	ADDED	COLOR	PART NO.	C15-Z136	A. Q
△3	2014/09/16	ADDED	COLOR	PART NO.	C14-Z544	A. Q
△2	2012/08/29	ADDED	COLOR	PART NO.	C12-Z777	J. C
△1	2012/01/11	CHANGED	FORM.	[A]	C12-Z056	J. C
	2011/11/24	NEW			C11-Z621	T. M
LET	DATE	REVISION	RECORD	NO.	CHKD	

MATL. SPEC.	△	SEE TABLE	TREAT. & F. IN.
MATL. SPEC.	△	SEE TABLE	TREAT. & F. IN.
NAME	060 8P HLC HOUSING FEMALE		
CUSTOMER	CUSTOMER DWG NO.		
OFFICE	TRIAL PART NO.		
VENDOR	VENDOR NO.		
DWG TYPE	R	DWG SOURCE	NEW
APPROVED	T. MATSUNAGA	CHECKED	K. MATSUMURA
DESIGN	A. QUIROL	DRAWN	A. QUIROL
DWG DATE	2011/11/24	UNIT	mm
SCALE	2:1	ANGLE	3
PART NO. CH. CODE	△ 7187-8847 ETC.		
DWG NO.	7187-8847-R		
SET DWG NO.			
YAZAKI CORPORATION			