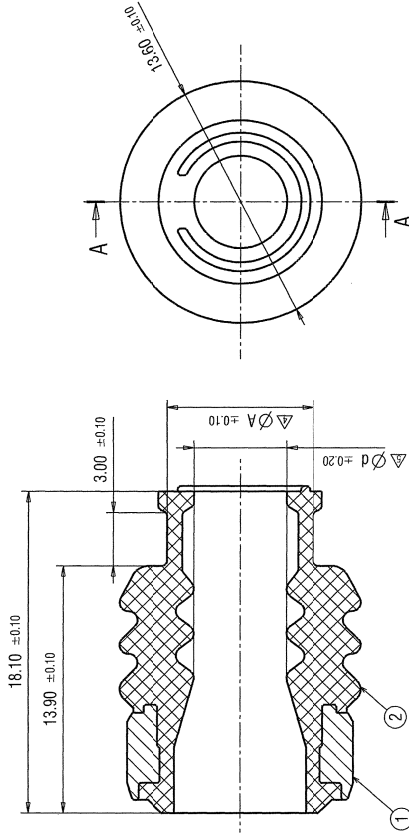


SEALING TABLE
(SCALE 2:1)

SECTION	SECTION C-C	SECTION D-D	SECTION E-E	SECTION F-F	SECTION G-G
WIRE SEAL	7158-3673-90	7158-3672-50	7158-3713-70	7172-5184	7172-5643-50
INSULATION DIAMETER	C	D	E	F	G



SECTION A-A

- NOTES:
1. MATERIAL: SEE TABLE;
 2. COLOR: SEE TABLE;
 3. APPLICABLE TERMINALS: SEE TABLE;
 4. APPLICABLE SEALS: SEE TABLE;
 5. FOR GENERAL GEOMETRICAL TOLERANCE SEE TABLE (ECCENTRICITY = ECCENTRICITY);
 6. HANDLING MANUAL: YPES-15-969E;
 7. PRODUCT STANDARD: YPES-11-98-148E;
 8. THE MATERIALS USED IN THIS PRODUCT ARE IN CONFORMITY WITH REQUIREMENTS OF EU ELV 2000/53/EC DIRECTIVE AND ASSOCIATED DOCUMENTS

YAZAKI PART No.	PART No.	PART NAME	MATERIAL	A	d	INSULATION DIAMETER	WIRE SIZE	COLOUR	APPLICABLE TERMINALS
7158-3673-90	1	RUBBER STOPPER	PBT-GF15	8.20	6.5	7.3 - 8.3 mm	16 mm ²	LIGHT GREY TURQUOISE RAL 5017	7116-5625-02 7116-5625-06 7114-5623-02
7158-3672-50	2	SEAL RUBBER	SILICON RUBBER	8.20	5.2	6.15 - 7.3 mm	16 mm ²	LIGHT GREY LIGHT PINK RAL 3014	7116-5625-02 7116-5625-06 7114-5623-02
7158-3713-70	2	SEAL RUBBER	SILICON RUBBER	8.20	4.3	5.3 - 6.5 mm	10 mm ²	LIGHT GREY YELLOW RAL 1016	7116-5625-02 7116-5625-06 7114-5623-02
7172-5643-50	2	SEAL RUBBER	SILICON RUBBER	7.00	3.2	4.6 - 5.0 mm	8 mm ²	LIGHT GREY RED RAL 3000	7116-5623-06 7114-5624-06 7116-3250
7172-5184	2	SEAL RUBBER	SILICON RUBBER	7.00	1.85	3.4 - 4.3 mm	4 - 6 mm ²	LIGHT GREY NATURAL	7116-7473-02 7116-7473-06 7114-7474-02 7114-7474-06



ISOMETRIC VIEW
(SCALE: 1:1)

DATE	REVISION RECORD	NO.	CHKD
15.02.2017	ADDED NEW PART	Y17-0128	J.J.
05.07.2016	UPDATED TABLE	Y16-0437	B.F.
16.06.2014	UPDATED TABLE	Y14-0318	B.F.
19.11.2013	ADD DIMENSION	Y13-0945	J.J.
20.03.2013	ADDED NEW PART	Y13-0723	J.J.
27.06.2007	UPDATED TABLE	C07-0723	J.J.
12.06.2007	UPDATED TABLE	C07-0705	J.J.
30.05.2007	ADDED NEW PART	C07-0676	J.J.
24.01.2007	NEW	C07-0522	J.J.
LET	REVISION RECORD	NO.	CHKD

PRINTED COPIES ARE UNCONTROLLED; THEY ARE POTENTIALLY OUT-OF-DATE AND INVALID. DATABASE IS MASTER.

CUSTOMER	CUSTOMER PART NO.	CUSTOMER DWG NO.	MATL. SPEC.	SEE TABLE	TREAT. & FIN.	ISSUE MARK	
OFFICE	YEL-K	TRIAL PART NO.	X30658-D759 ETC.				
VENDOR		VENDOR NO.					
GENERAL TOLERANCE							
10MAX	±0.15	100MAX	±0.3	250MAX	±0.5	750MAX	±0.75
A	±0.15		±0.3		±0.5		±0.75
B	±0.2		±0.3		±0.5		±0.75
C	±0.2		±0.3		±0.5		±0.75
D	±0.3		±0.5		±0.8		±1.1
E	±0.3		±0.5		±0.8		±1.1
F	±0.3		±0.5		±0.8		±1.1
G	±0.3		±0.5		±0.8		±1.1
MASS	±0.3		±0.5		±0.8		±1.1
16.12.2017	16.01.2017	16.02.2017	10.10.2006	15.02.2017			



9.5 YPT WP CONNECTOR
SINGLE WIRE SEAL

PART NO. 7158-3672-50 ETC
CH. CODE 7158-3672-50-R
DWG NO. 7158-3672-50-R

DESIGN DRAWN
B. FREITZ
H. JAKLENEC