

**ESD5Z5VU**

**1-Line, Uni-directional, Ultra-low Capacitance  
Transient Voltage Suppressors**

<http://www.sh-willsemi.com>

**Descriptions**

The ESD5Z5VU is an ultra-low capacitance TVS (Transient Voltage Suppressor) designed to protect high speed data interfaces. It has been specifically designed to protect sensitive electronic components which are connected to data and transmission lines from over-stress caused by ESD (Electrostatic Discharge).

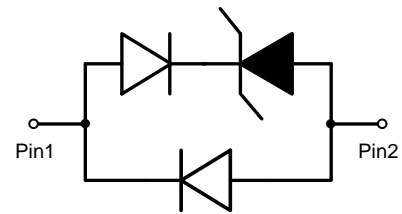
The ESD5Z5VU incorporates one pair of ultra- low capacitance steering diodes plus a TVS diode.

The ESD5Z5VU may be used to provide ESD protection up to  $\pm 20\text{kV}$  (contact and air discharge) according to IEC61000-4-2, and withstand peak pulse current up to 4A (8/20 $\mu\text{s}$ ) according to IEC61000-4-5.

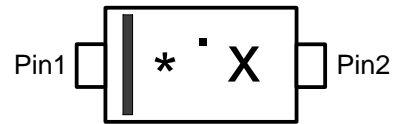
The ESD5Z5VU is available in SOD-523 package. Standard products are Pb-free and Halogen-free.



**SOD-523**



**Circuit diagram**



x = Device code

\* = Month code ( A~Z)

**Marking (Top View)**

**Features**

- Stand-off voltage: 5V max.
- Transient protection for each line according to  
IEC61000-4-2 (ESD):  $\pm 20\text{kV}$  (contact and air discharge)  
IEC61000-4-4 (EFT): 40A (5/50ns)  
IEC61000-4-5 (surge): 4A (8/20 $\mu\text{s}$ )
- Ultra-low capacitance:  $C_J = 0.4\text{pF}$  typ.
- Ultra-low leakage current:  $I_R < 1\text{nA}$  typ.
- Low clamping voltage:  $V_{CL} = 18\text{V}$  typ. @  $I_{PP} = 16\text{A}$  (TLP)
- Solid-state silicon technology

**Applications**

- USB 2.0 and USB 3.0
- HDMI 1.3 and HDMI 1.4
- SATA and eSATA
- DVI
- IEEE 1394
- PCI Express
- Portable Electronics and Notebooks

**Order information**

Device	Package	Shipping
ESD5Z5VU-2/TR	SOD-523	3000/Tape&Reel

**Absolute maximum ratings**

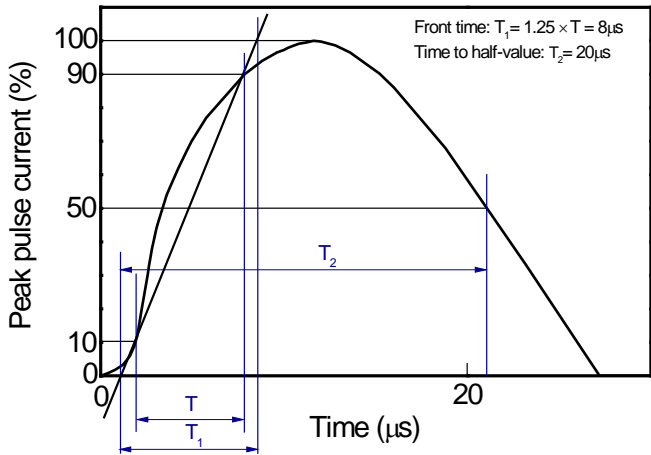
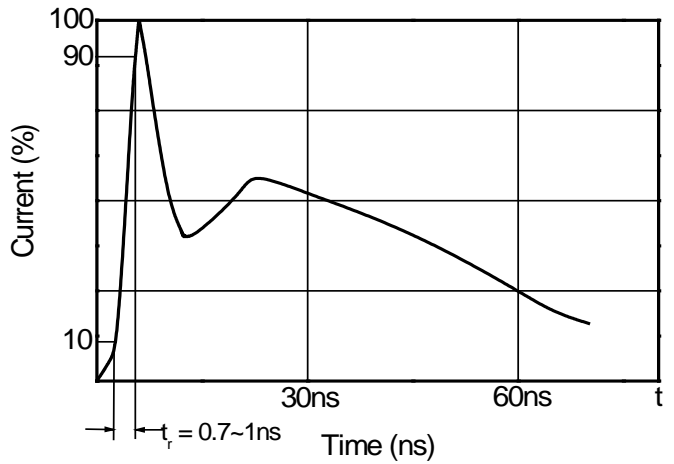
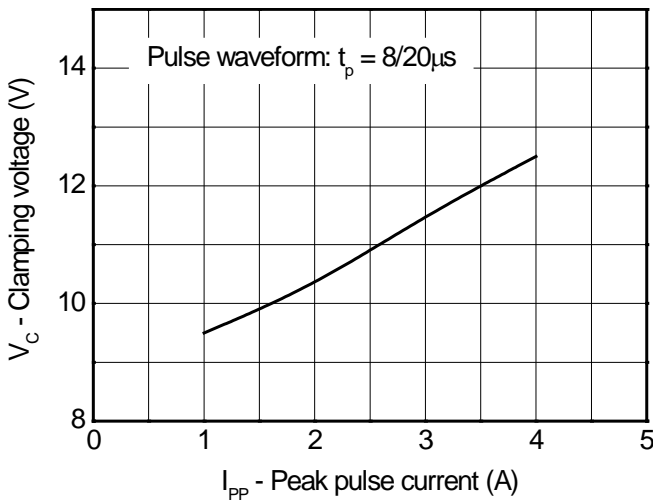
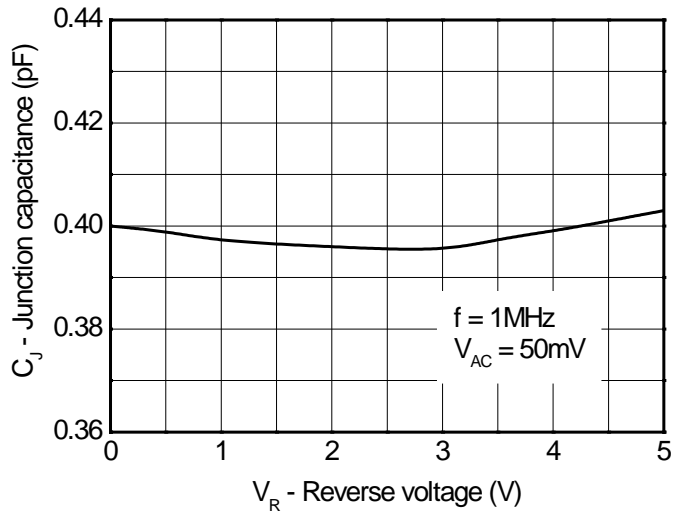
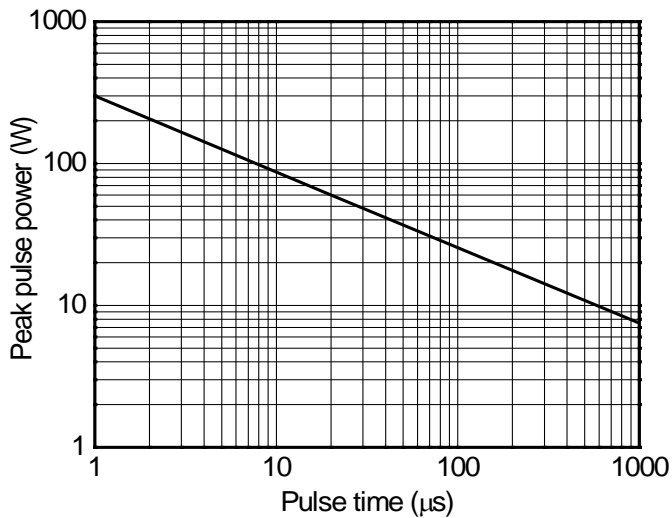
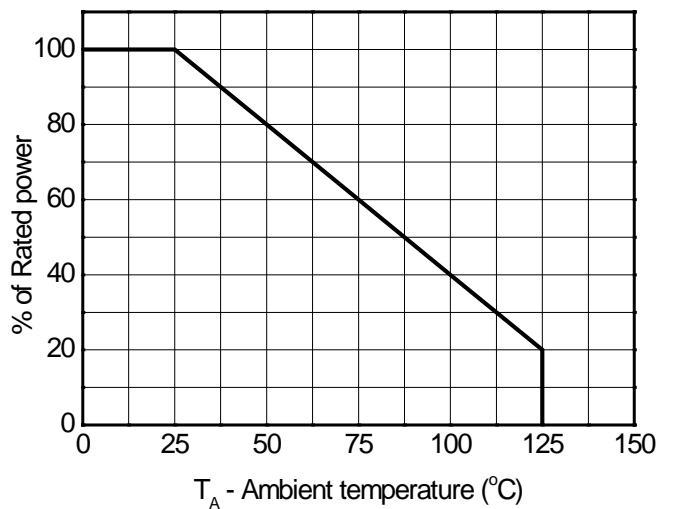
Parameter	Symbol	Rating	Unit
Peak pulse power ( $t_p = 8/20\mu s$ )	$P_{pk}$	60	W
Peak pulse current ( $t_p = 8/20\mu s$ )	$I_{PP}$	4	A
ESD according to IEC61000-4-2 air discharge	$V_{ESD}$	$\pm 20$	kV
ESD according to IEC61000-4-2 contact discharge		$\pm 20$	
Junction temperature	$T_J$	125	$^{\circ}C$
Operating temperature	$T_{OP}$	-40~85	$^{\circ}C$
Lead temperature	$T_L$	260	$^{\circ}C$
Storage temperature	$T_{STG}$	-55~150	$^{\circ}C$

**Electrical characteristics ( $T_A = 25^{\circ}C$ , unless otherwise noted)**

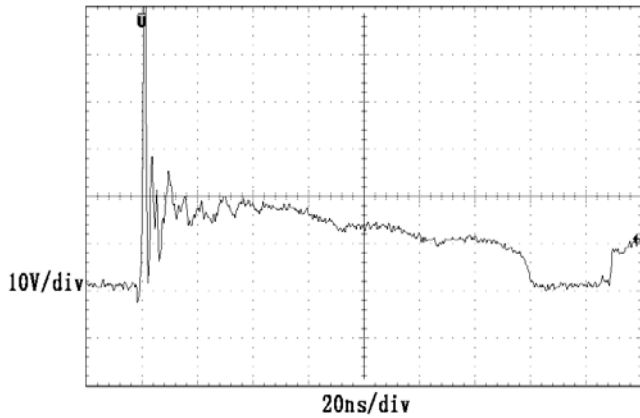
Parameter	Symbol	Condition	Min.	Typ.	Max.	Unit
Reverse maximum working voltage	$V_{RWM}$				5.0	V
Reverse leakage current	$I_R$	$V_{RWM} = 5V$		<1	100	nA
Reverse breakdown voltage	$V_{BR}$	$I_{BR} = 1mA$	7.0	8.0	9.0	V
Forward voltage	$V_F$	$I_F = 10mA$	0.6	0.9	1.2	V
Clamping voltage <sup>1)</sup>	$V_{CL}$	$I_{PP} = 16A, t_p = 100ns$		18.0		V
Dynamic resistance <sup>1)</sup>	$R_{DYN}$			0.57		$\Omega$
Clamping voltage <sup>2)</sup>	$V_{CL}$	$I_{PP} = 1A, t_p = 8/20\mu s$			11	V
		$I_{PP} = 4A, t_p = 8/20\mu s$			15	V
Junction capacitance	$C_J$	$V_R = 0V, f = 1MHz$		0.4	0.65	pF

Notes:

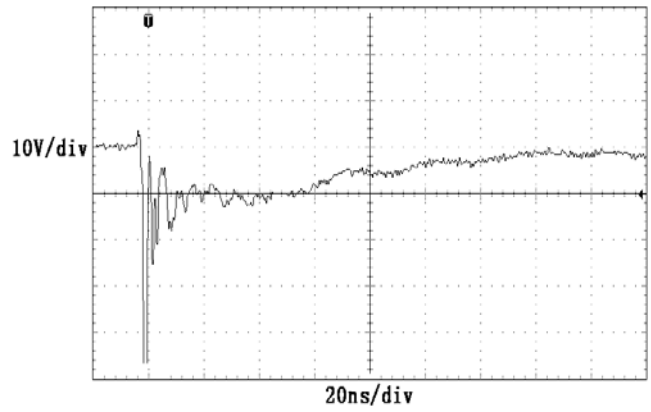
- 1) TLP parameter:  $Z_0 = 50 \Omega$ ,  $t_p = 100ns$ ,  $t_r = 2ns$ , averaging window from 60ns to 80ns.  $R_{DYN}$  is calculated from 4A to 16A.
- 2) Non-repetitive current pulse, according to IEC61000-4-5.

**Typical characteristics ( $T_A = 25^\circ\text{C}$ , unless otherwise noted)**

**8/20 $\mu\text{s}$  waveform per IEC61000-4-5**

**Contact discharge current waveform per IEC61000-4-2**

**Clamping voltage vs. Peak pulse current**

**Capacitance vs. Reverse voltage**

**Non-repetitive peak pulse power vs. Pulse time**

**Power derating vs. Ambient temperature**

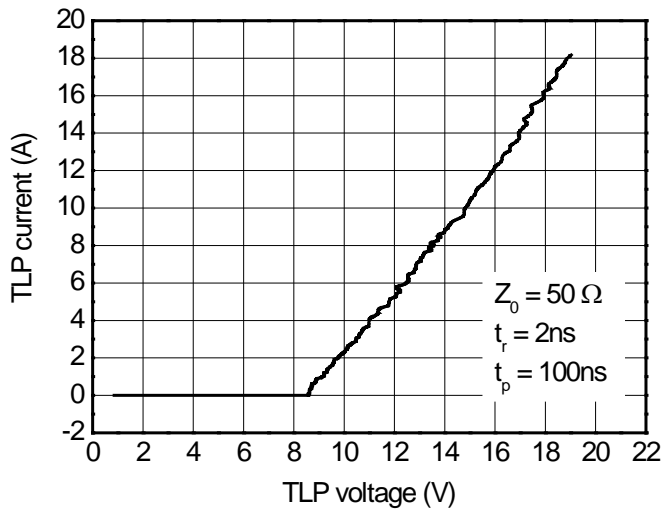
Typical characteristics ( $T_A = 25^\circ\text{C}$ , unless otherwise noted)



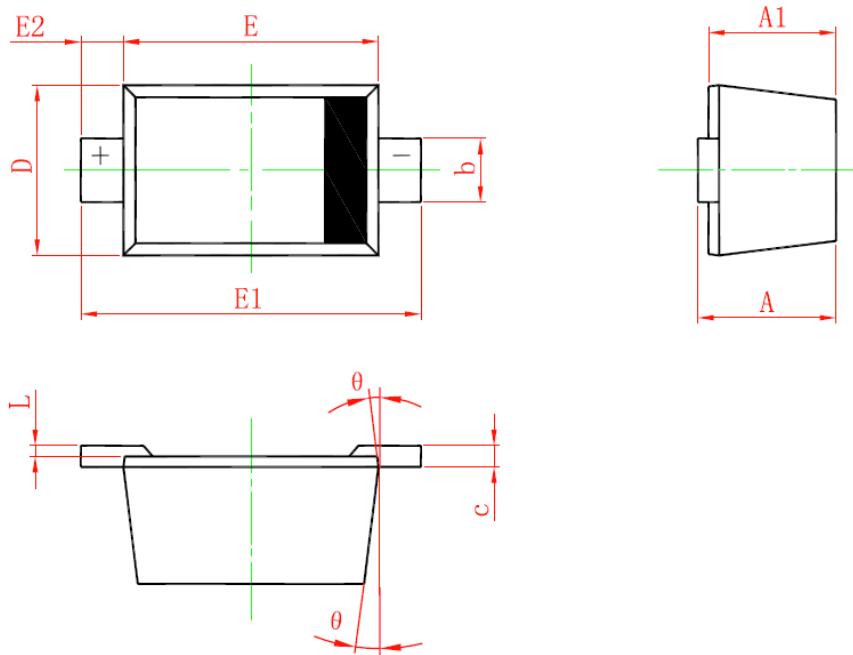
**ESD clamping**  
(+8kV contact discharge per IEC61000-4-2)



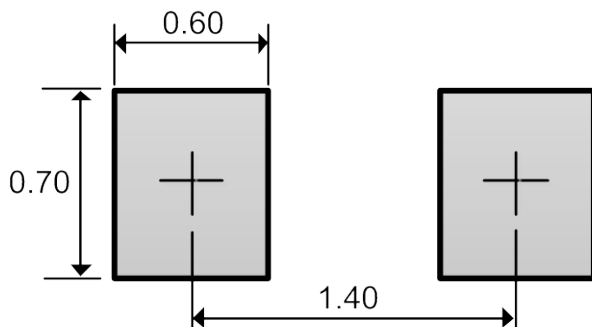
**ESD clamping**  
(-8kV contact discharge per IEC61000-4-2)



**TLP Measurement**

**Package outline dimensions**
**SOD-523**


Symbol	Dimensions in millimeter		
	Min.	Typ.	Max.
A	0.510	0.640	0.770
A1	0.500	0.600	0.700
b	0.250	0.300	0.350
c	0.080	0.115	0.150
D	0.750	0.800	0.850
E	1.100	1.200	1.300
E1	1.500	1.600	1.700
E2	0.200 Ref		
L	0.010	0.040	0.070
θ	7° Ref		

**Recommend land pattern (Unit: mm)**


*Note: This land pattern is for your reference only. Actual pad layouts may vary depending on application.*