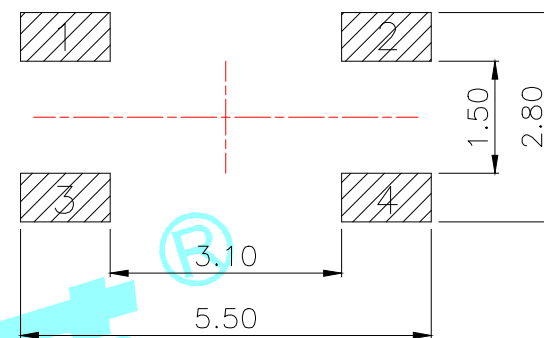
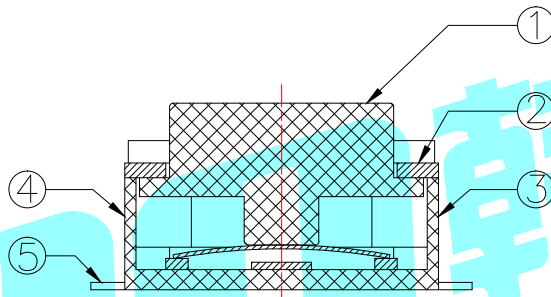
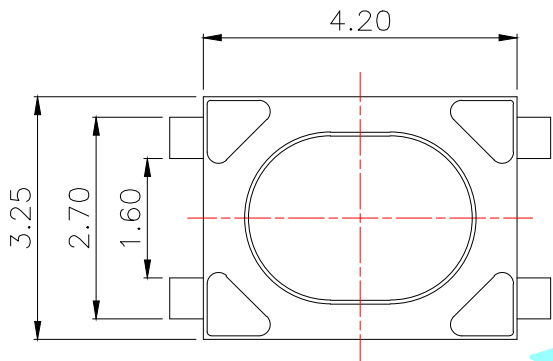
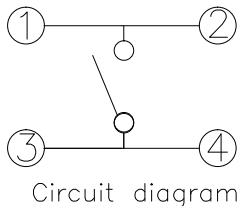


Typical Specifications :  
 1. Rating : DC 12V 50mA  
 2. Life:100,000 Cycles Min.

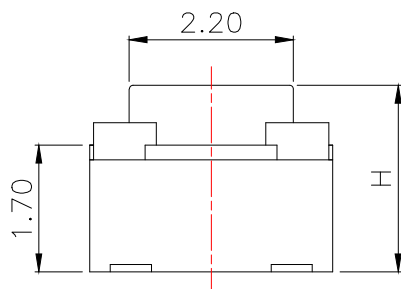
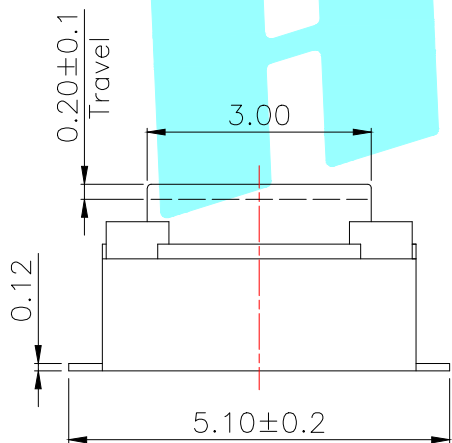


NO.1	
PART NO	H
A	2.5
B	2.8
C	3.5
D	4.0

NO.3	
PART NO	MATERIAL/QTY
S	SUS/1PC
D	SUS/2PCS

NO.2	
PART NO	VIGOR
1	90±30
3	180±30
4	250±30

NO.4-NO.5	
PART NO	NOTE
01~99	SERIAL NUMBER



⑤	Terminal	—	4	Phosphor Bronze	Plating silver	—
④	Contact	—	1	F.Ag/SUS	Plating silver	—
③	Base	—	1	LCP	White	—
②	Cover	—	1	SUS	Natural	—
①	Keystoke	—	1	LCP	White	—
ITEM	PART NAME	TER'NO.	QTY.	MATERIAL	FINISHING	REMARK

APPROVALS		DATE		 ELECTRONICS CO.,LTD		
DRAWN	xu qi feng	2014.11.20		TITLE:	TACT SWITCHS	
CHECKED				PART NO.	K2-1808SN-□□□W-□□	
APPROVALS				UNIT: mm	SCALE: 1:1	PROJ:
TOLERANCES ARE				ANGLE	DRAWING NO.	SHEET 1 OF 1
				±0.30		
				±0.20		
				±0.15		
				±0.10		
				±2'		

ECN NO.	REV.	DATE.	DESCRIPTION.	CHANGE.	CHECK.	APPRO.
—	A	—	NEW	—	—	—