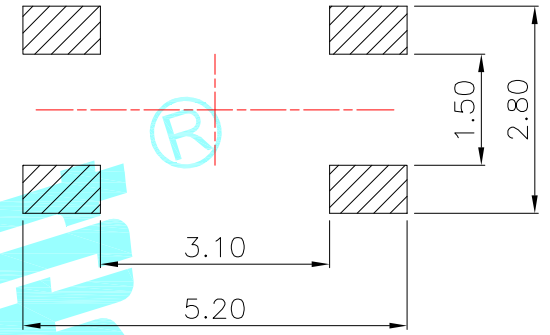
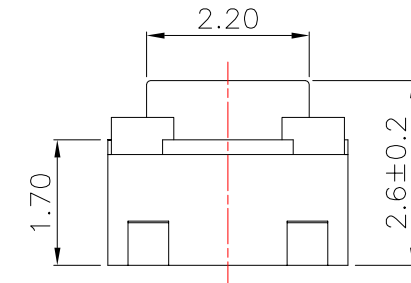
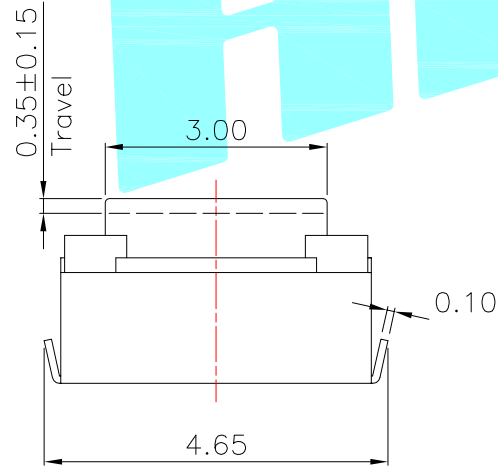
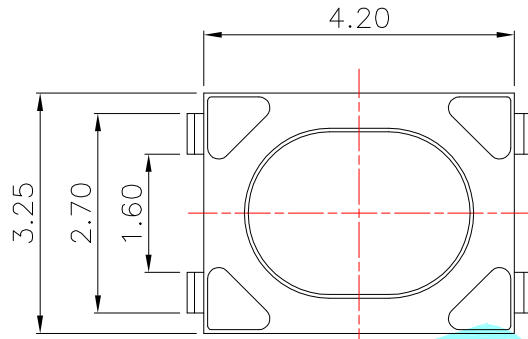
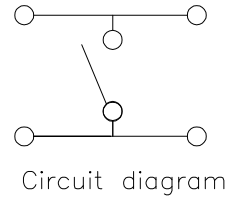


Typical Specifications :
 1. Rating : DC 12V 50mA
 2. Life:100,000 Cycles Min.



PCB Layout(Pattern Side)

NO.1	
PART NO	VIGOR
3	180±35
4	250±35

NO.2	
PART NO	MATERIAL/QTY
S	SUS/1PC
D	SUS/2PCS

NO.3-NO.4	
PART NO	NOTE
01~99	SERIAL NUMBER

⑤	Terminal	—	4	Phosphor Bronze	Plating silver	—
④	Contact	—	1	F.Ag/SUS	Plating silver	—
③	Base	—	1	LCP	White	—
②	Cover	—	1	Phosphor Bronze	Plating Sn	—
①	Keystoke	—	1	Silica gel	Blue	—
ITEM	PART NAME	TER'NO.	QTY.	MATERIAL	FINISHING	REMARK

APPROVALS		DATE	HRO 翰睿® ELECTRONICS CO.,LTD			
DRAWN	LIUCAN	2021.9.10	TITLE:	TACT SWITCHS		
CHECKED			PART NO.	K2-1808GN-A□□W-□□		
APPROVALS			UNIT: mm	SCALE: 1:1	PROJ:	
TOLERANCES ARE		30~以上 ±0.30	ANGLE			
		10~30 ±0.20				
		5~10 ±0.15				
		~ 5 ±0.10	±2°	DRAWING NO.		SHEET 1 OF 1

ECN NO.	REV.	DATE.	DESCRIPTION.	CHANGE.	CHECK.	APPRO.
	A		NEW			